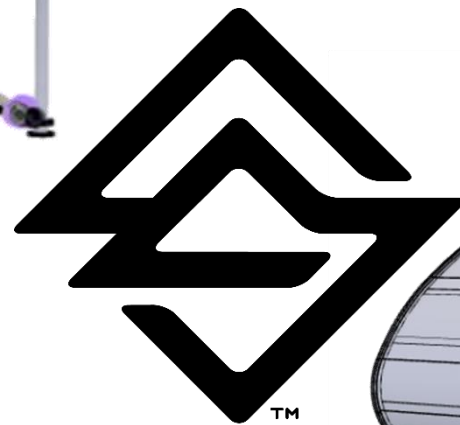




Cirrus 820/920



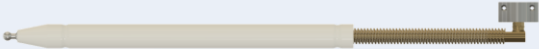
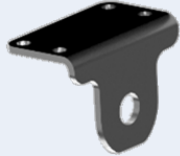
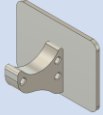
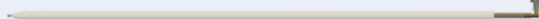
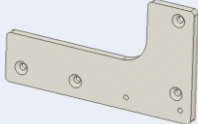

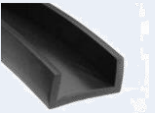
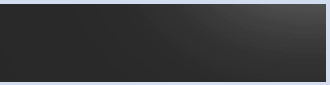


**STABLE
CAMPER**

2021 or Newer Cirrus 820



Cirrus Part List

Parts List	# of Items		Parts List	# of Items	
Jack Clamp	2		Side Storage Hanger Mount Front	2	
Front End Tube Assembly	2		Side Storage Hanger Mount Rear	2	
Front Tube Sticky Storage Mount	2		Hardware for the Side Storage Mounts Front and Rear	16	#10 x 3/4" Stainless Steel Pan Head Screw
Truck Bed Side Tube Assembly	2		Extended Front Mount	2	
Allen Wrench	1		Hardware for the Extended Front Mount		#10 x 1.5" Stainless Steel Flat Head Screw (8) #10-24 x 5/8" Flat Head Screws (4)
Rubber U Channel for Jack Clamp	4				
Extended Front Mount Spacers	2				

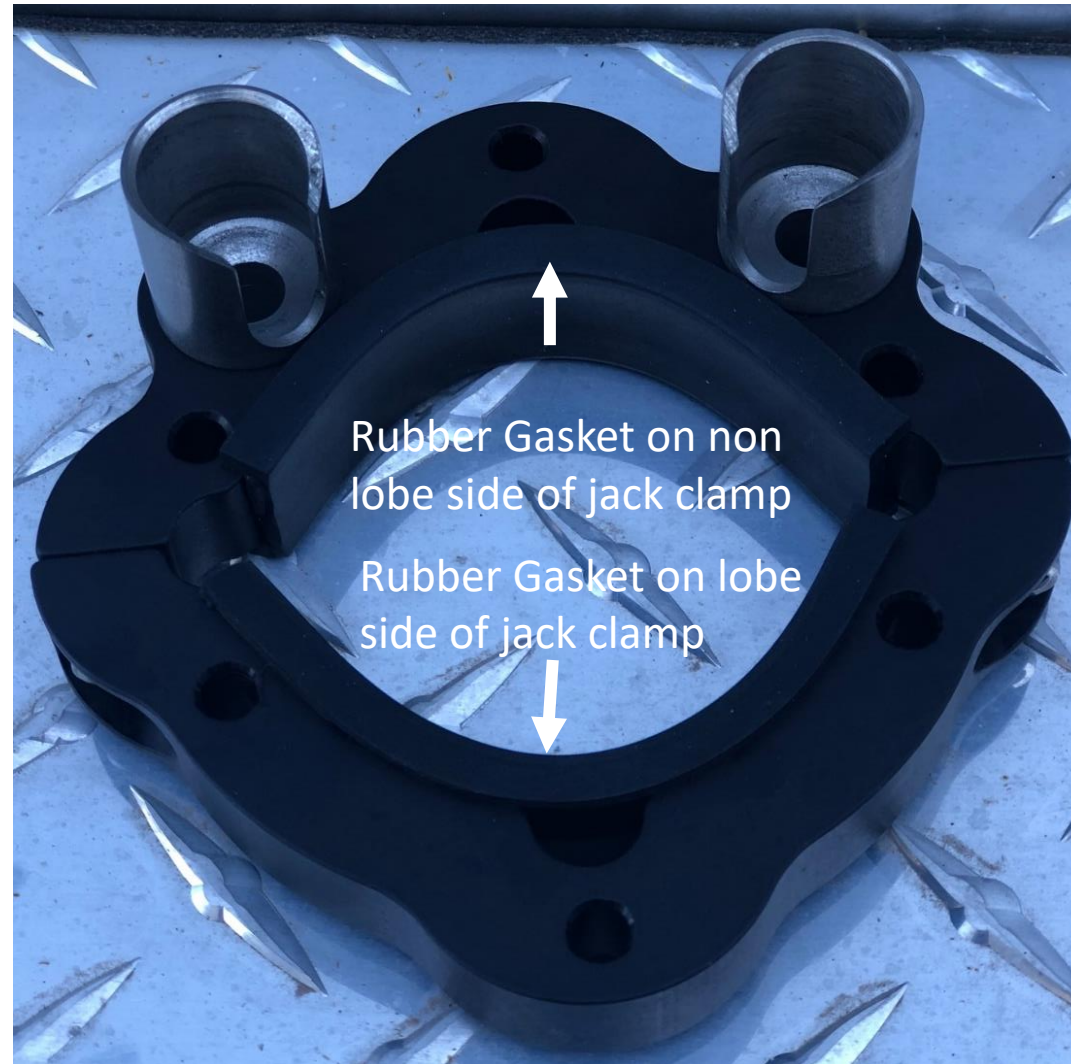
2021 or Newer Cirrus 820 Part List

Parts List	# of Items		Parts List	# of Items	
Jack Clamp	2		Truck Bed Side Tube Assembly	2	
Front End Tube Assembly	2		Side Tube Storage Hanger Mount Front	2	
Hardware for the Front End Tube Assembly		(4) #10-24 x 2.5" Stainless Steel Flat Head Bolt (4) Flat Washers (4) Lock Nuts	Side Tube Storage Hanger Mount Rear	2	
Front Tube Storage Mount	2		Hardware for the Side Storage Mounts Front and Rear	16	#10 x 3/4" Stainless Steel Pan Head Screw
Hardware for the Front Tube Storage Mount	2	#10 x 1.5" Stainless Steel Flat Head Screw	Allen Wrench	1	
Rubber U Channel for Jack Clamp	4				

General Notes:

- **Before you begin the installation, remove the camper from the truck and make sure it is leveled.**
- **All mounted assemblies will need to be securely attached with supplied hardware to the camper frame.**
- **Avoid drilling pilot holes too close to the edge of the camper frame.**
- **Check the front tubes and hanger mounts as well as the side tubes and hanger mounts for any possible clearance issues.**
- **Confirm that the tubes will not be interfering with the tie down hooks, water, or any connections under the camper overhang.**
- **Apply RV sealant to all holes.**
- **Wear proper safety equipment.**
- **Do not stand, sit or climb on stablecamper.**
- **The 3M VHB tape used on the mounts is very strong and repositioning the mounts after they have been fixed to the camper is not advised. When installing the mounts, be sure of placement before removing the adhesive backing and attaching the mounts with the supplied hardware.**

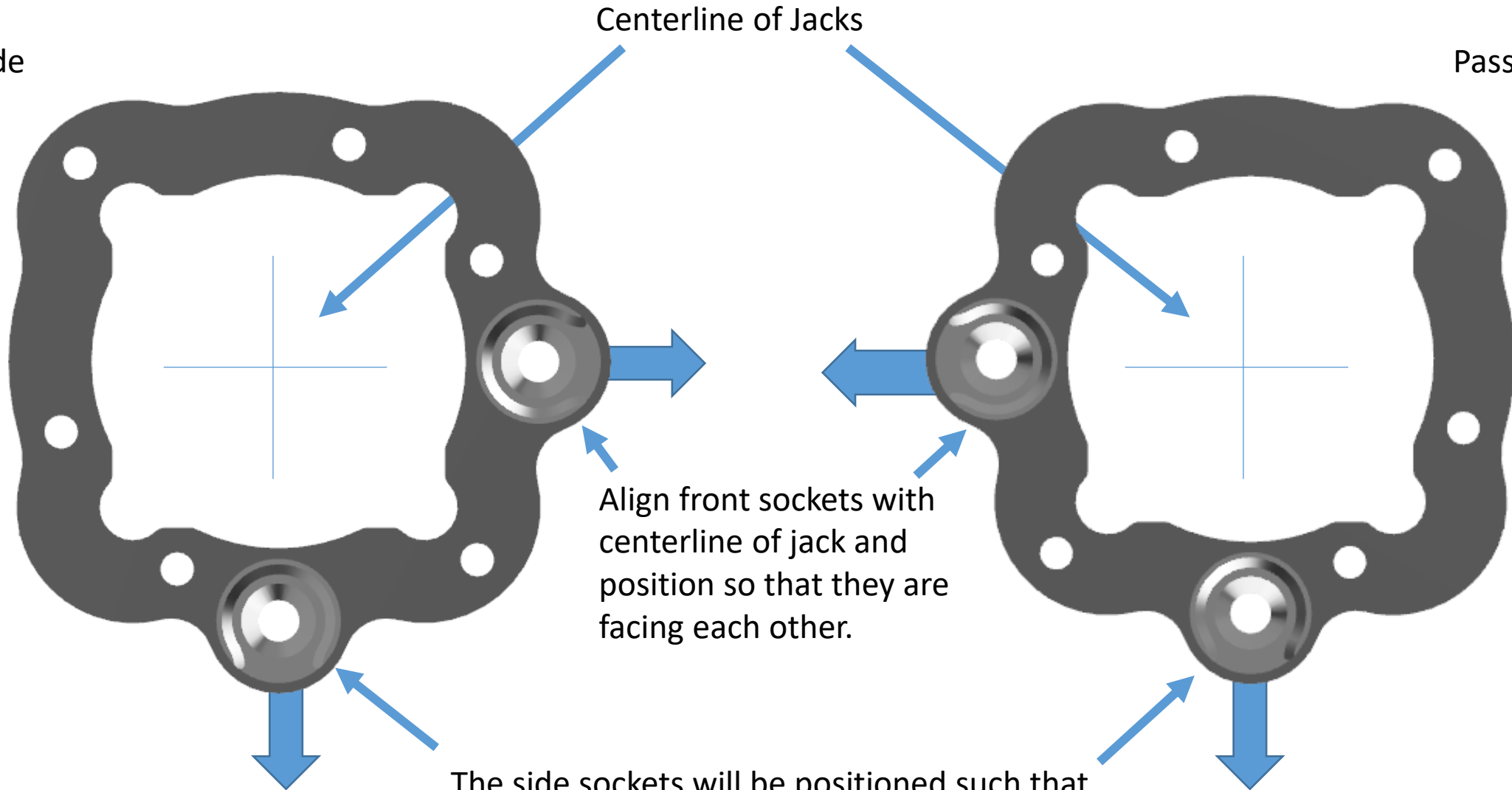
Install rubber gasket as shown on lobe and non lobe sides of jack clamp.



Mount the jack clamps to the fixed portion of the jack.

Drivers Side

Passenger Side



Centerline of Jacks

Align front sockets with centerline of jack and position so that they are facing each other.

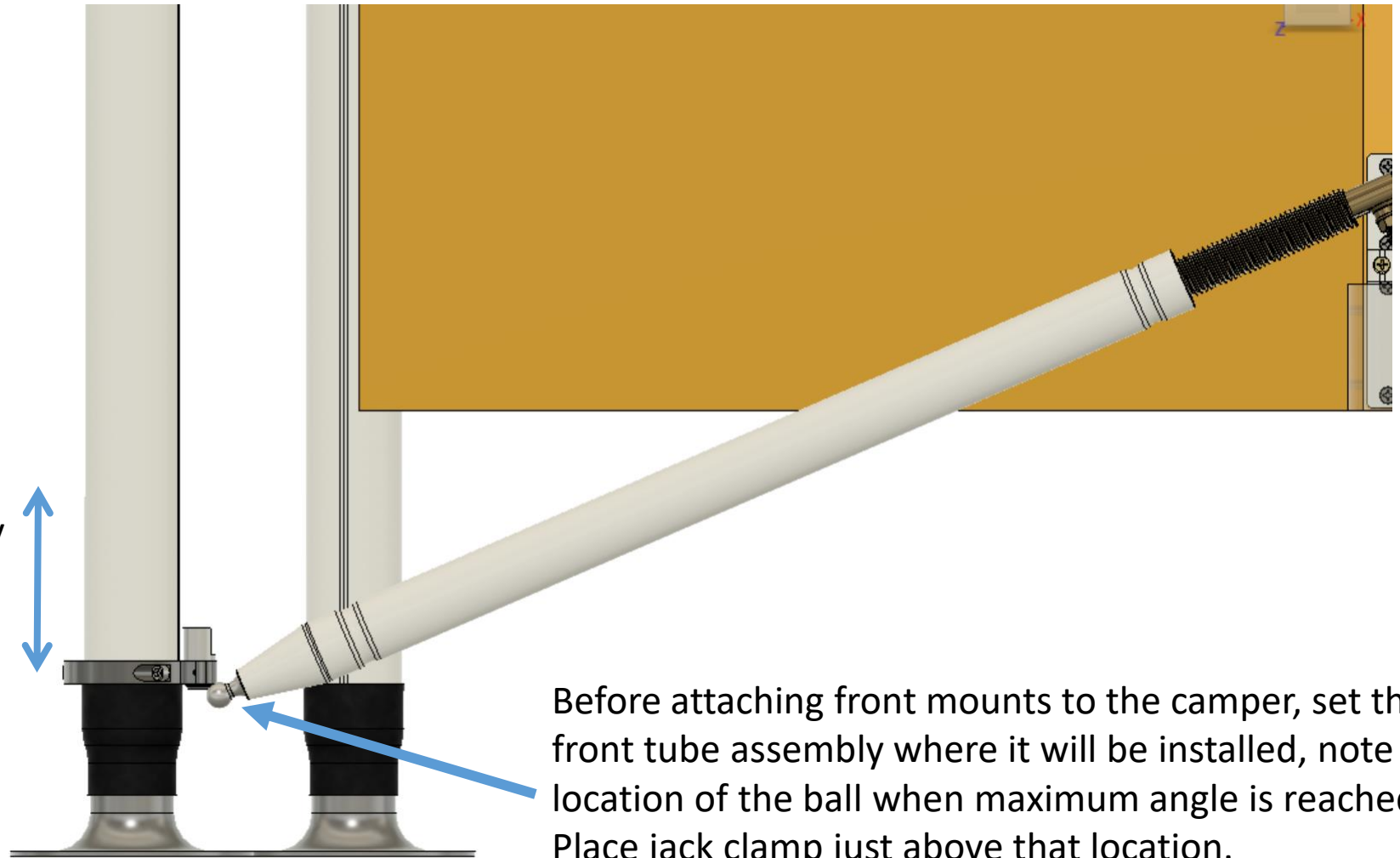
The side sockets will be positioned such that they are collinear with the centerline of the jack as shown in the illustration.

Jack Clamp Assembly Exploded View



Vertical Placement of Jack Clamp

Vertical placement of jack clamp will vary depending on the maximum angle of the front tube.



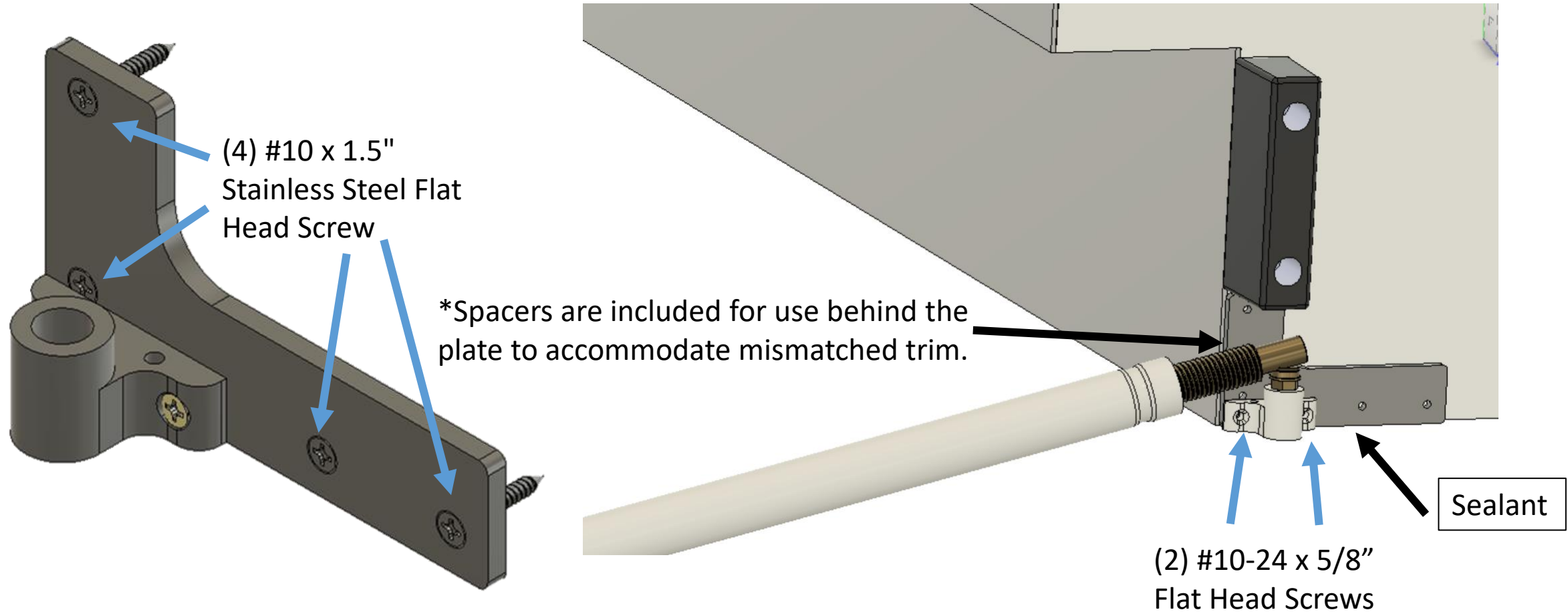
Before attaching front mounts to the camper, set the front tube assembly where it will be installed, note location of the ball when maximum angle is reached. Place jack clamp just above that location.

Cirrus Front Mount and Front Tube Storage Setup



Cirrus Extended Front Mount Detail

Position the front mounts so they are mounting to the camper frame. Drill $9/64$ " pilot holes and attach the mounts with the #10 x 1.5" flat head screws. Do not drill pilot holes too close to the edge of the camper frame. Use RV sealant on any holes and around the mounts.



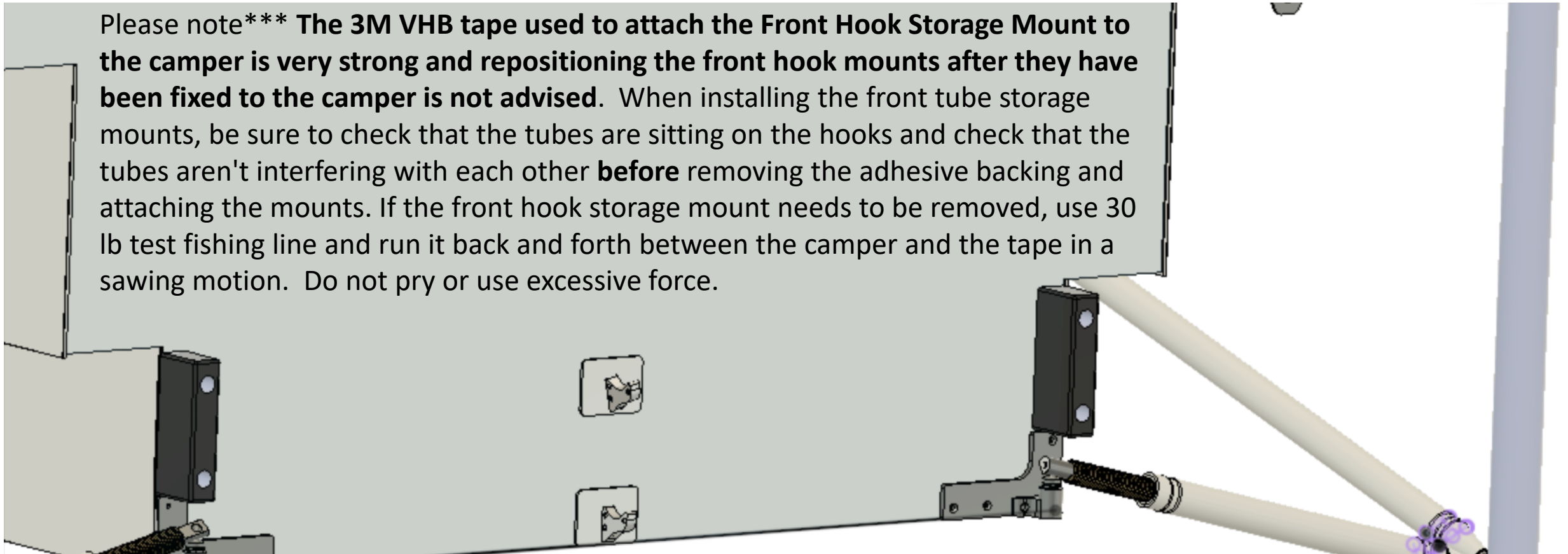
Cirrus Front Storage Mount

Passenger Side

View: Front Face of Camper

Driver Side

Please note*** **The 3M VHB tape used to attach the Front Hook Storage Mount to the camper is very strong and repositioning the front hook mounts after they have been fixed to the camper is not advised.** When installing the front tube storage mounts, be sure to check that the tubes are sitting on the hooks and check that the tubes aren't interfering with each other **before** removing the adhesive backing and attaching the mounts. If the front hook storage mount needs to be removed, use 30 lb test fishing line and run it back and forth between the camper and the tape in a sawing motion. Do not pry or use excessive force.



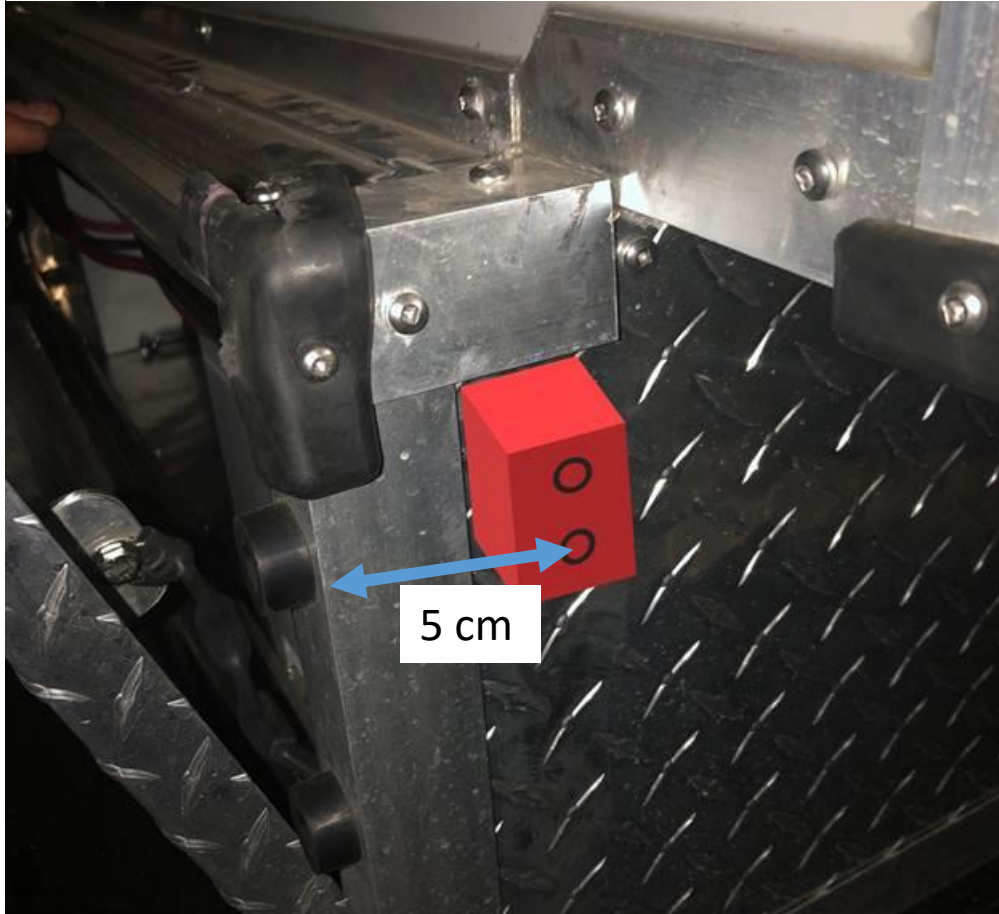
The front hook storage mounts will be centered on the front face of the camper. Be sure that the lower mount is installed above the lower edge of the camper. When positioning the hanger mounts the upper hook will need to be rotated a bit since that tube will be at a greater angle and the mount will need to accommodate that. Please see render above. To attach, clean the area with alcohol wipes, remove the tape backing and affix to the camper.

2021 and Newer Cirrus 820 Setup Front Mount and Front Tube Storage Setup

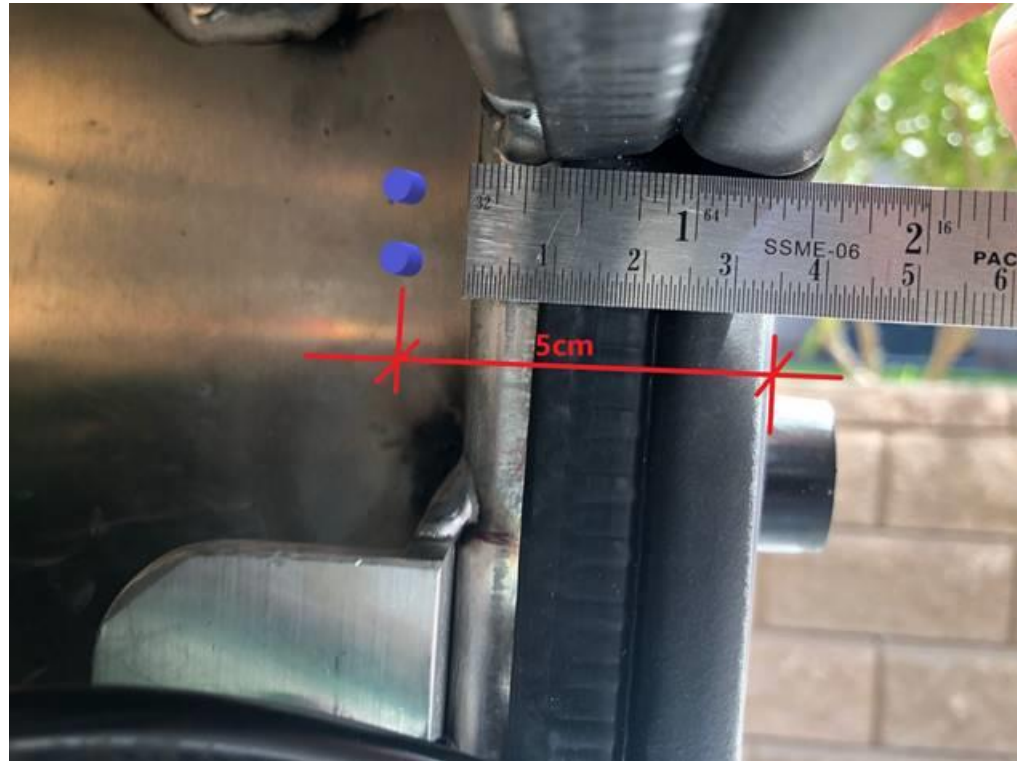


2021 Cirrus 820 with Front Cubby Front Mount Detail

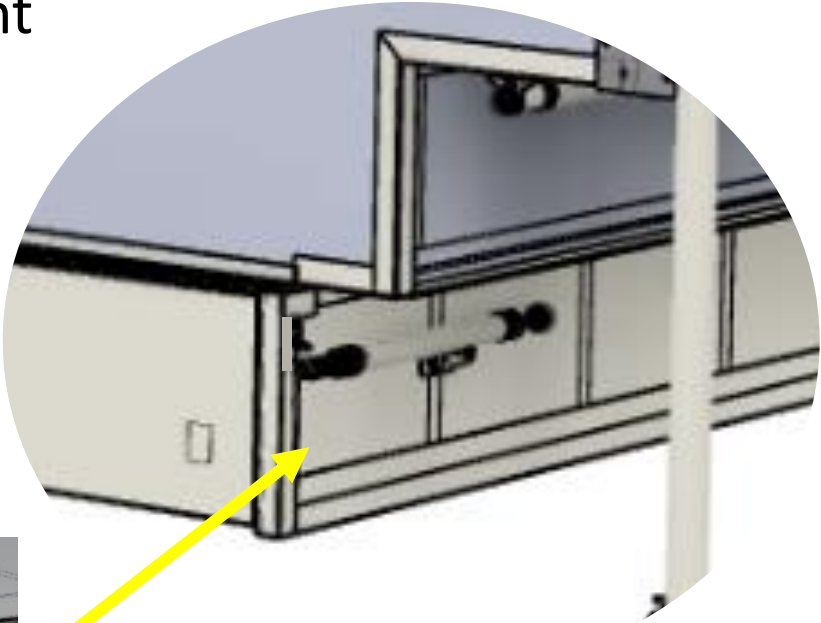
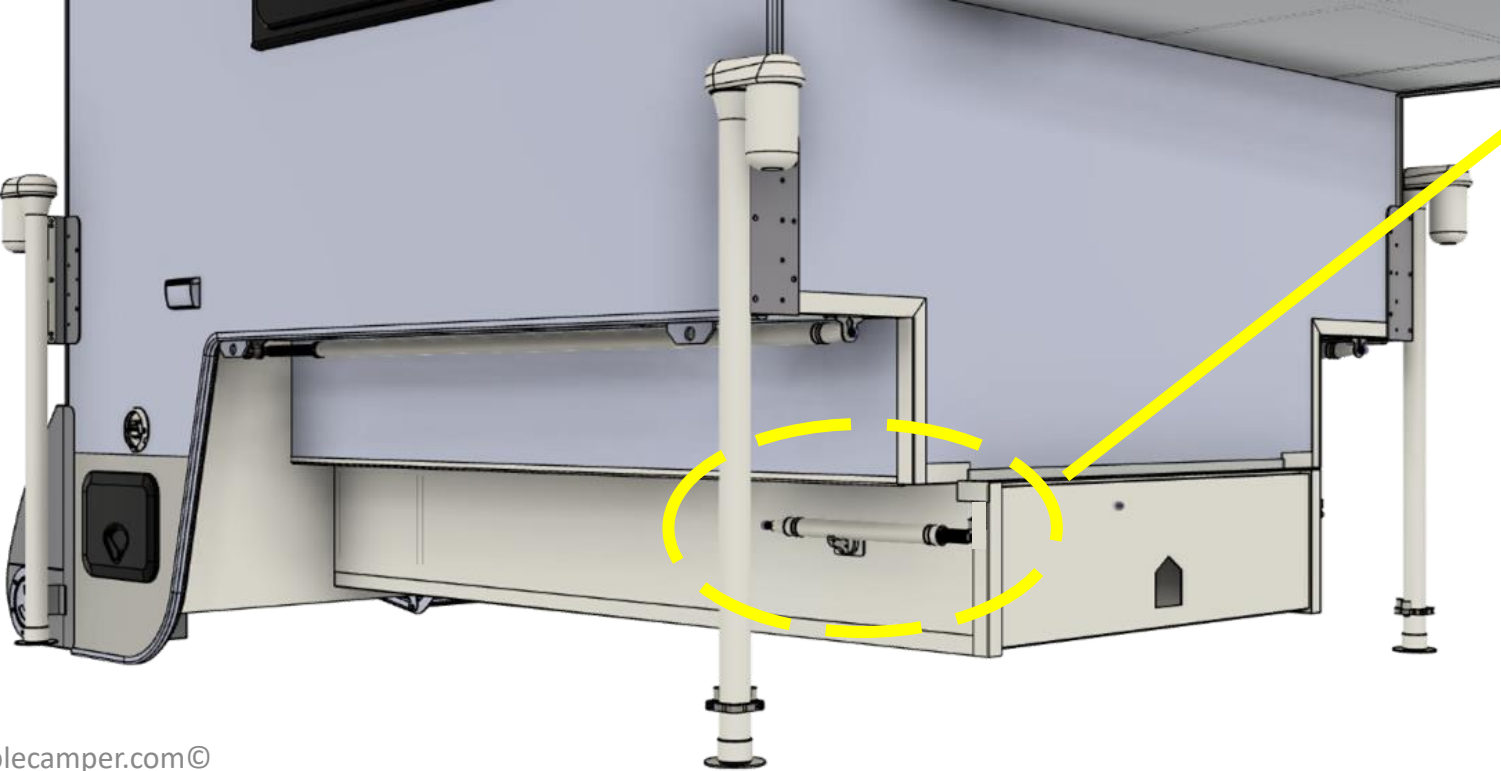
See below for front mount placement. Clearance hole for 10-24 bolt #7 drill, 0.201"

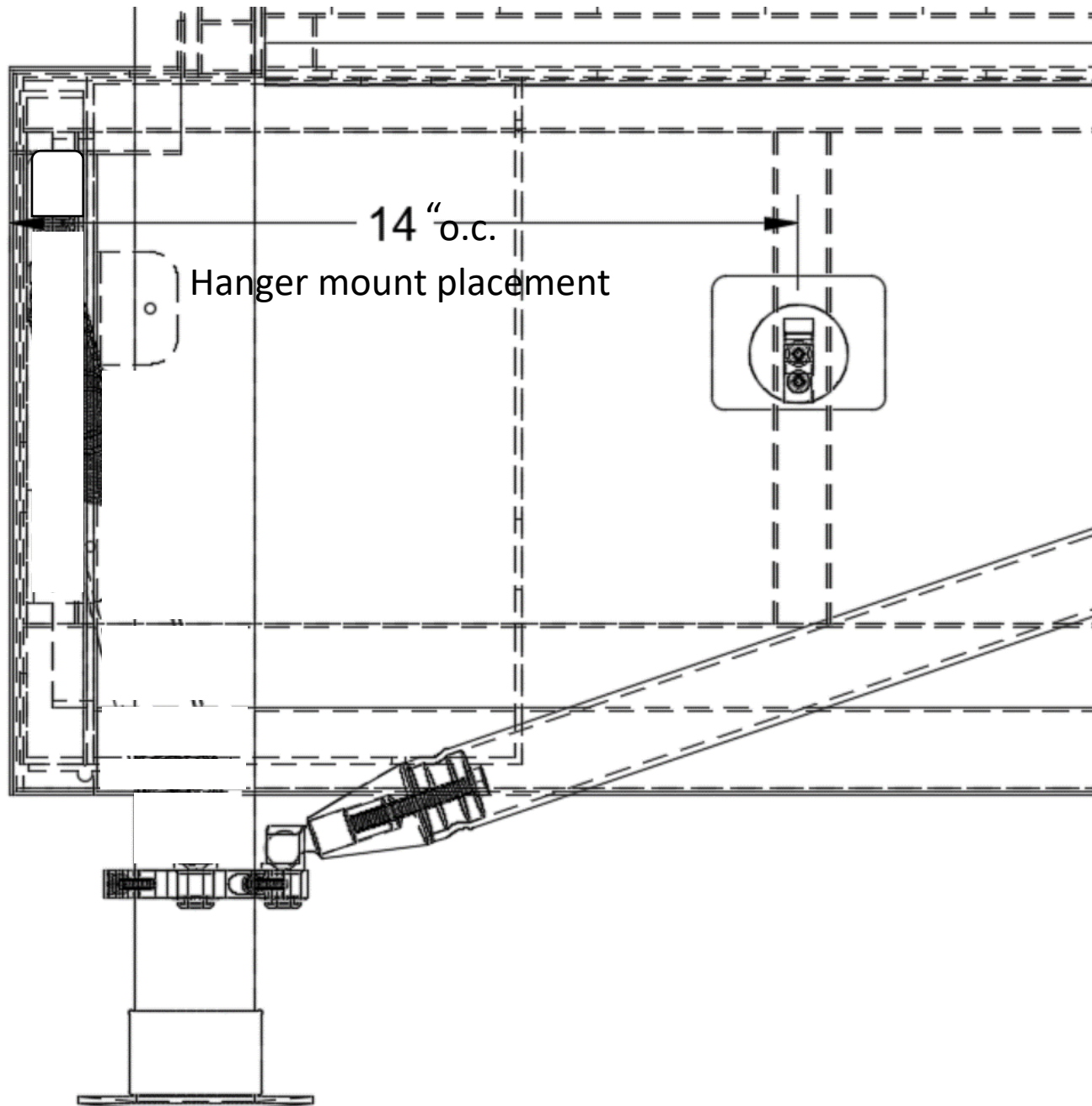


Through bolt the mount to the box using the (2) #10-24 x 2.5" Stainless Steel Flat Head Bolts and secure them with the (2) flat washers and the (2) lock nuts on the interior of the battery box.

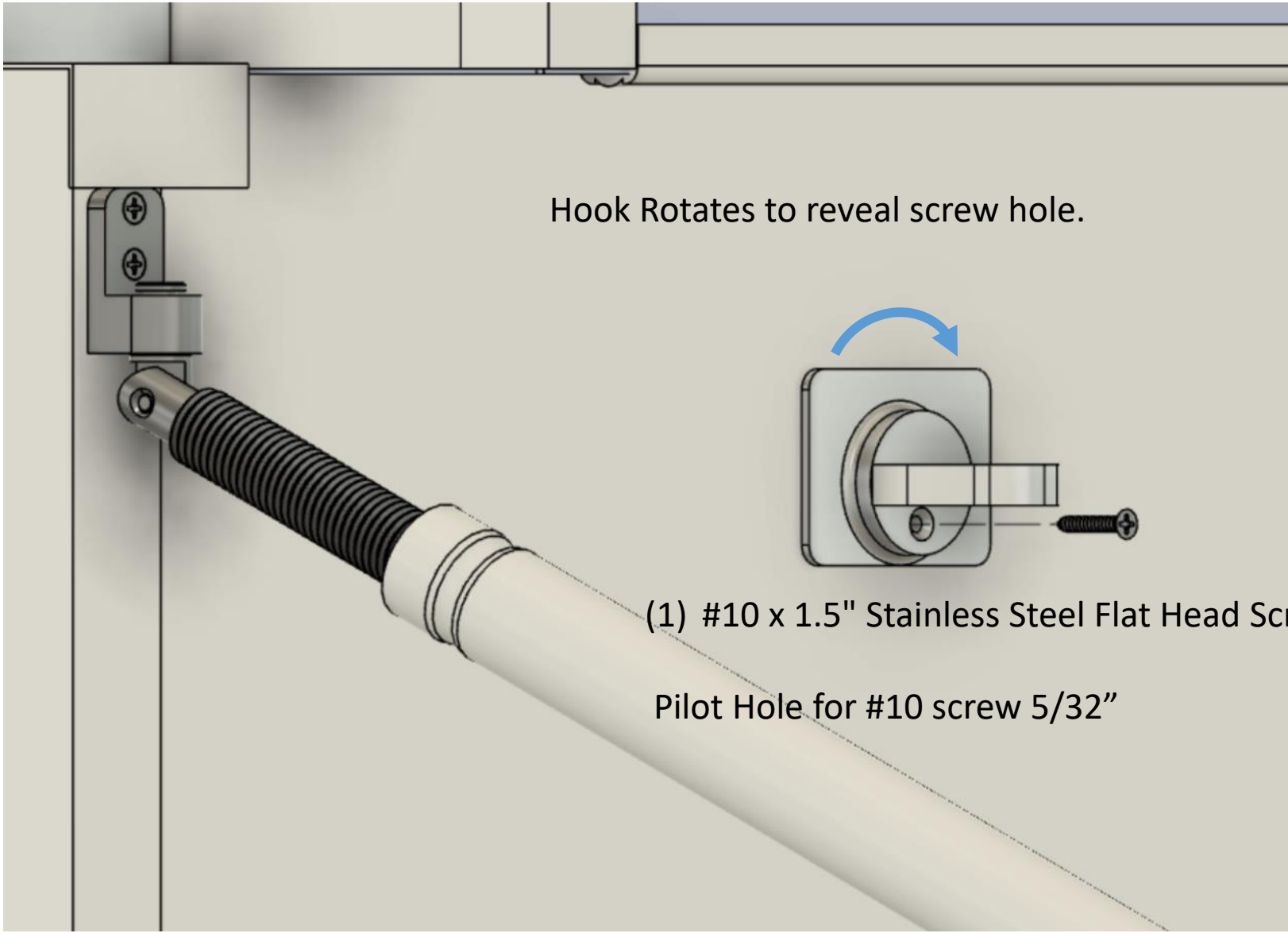


2021 and Newer Cirrus 820 Front Storage Mount

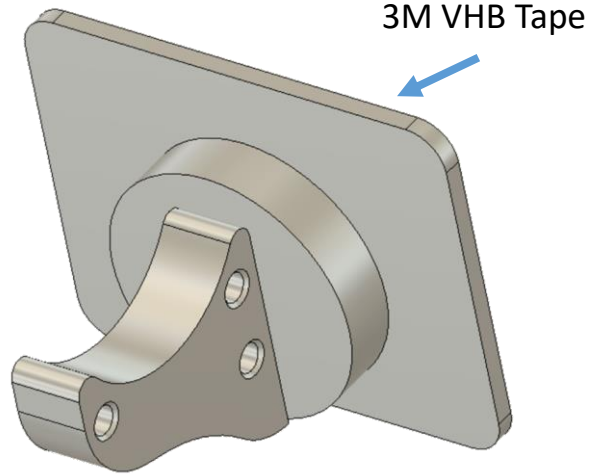




Position the front hanger bracket on center of frame location as shown. Drill 5/32" Pilot Hole for #10 screw. Please see following page for additional details.



****Please note: The 3M VHB tape used on the storage hanger mounts is very strong and repositioning the mounts after they have been fixed to the camper is not advised. When installing the mounts, be sure of placement before removing the adhesive backing and attaching the mounts with the screws.**



Cirrus Side Tube Storage Mount Install



View: Side Face of Camper

- Before installing the storage mounts for the side tubes on the underside of the camper, confirm that the distance between the hanger mounts is the same as the installed length of the Stablecamper before drilling pilot holes.

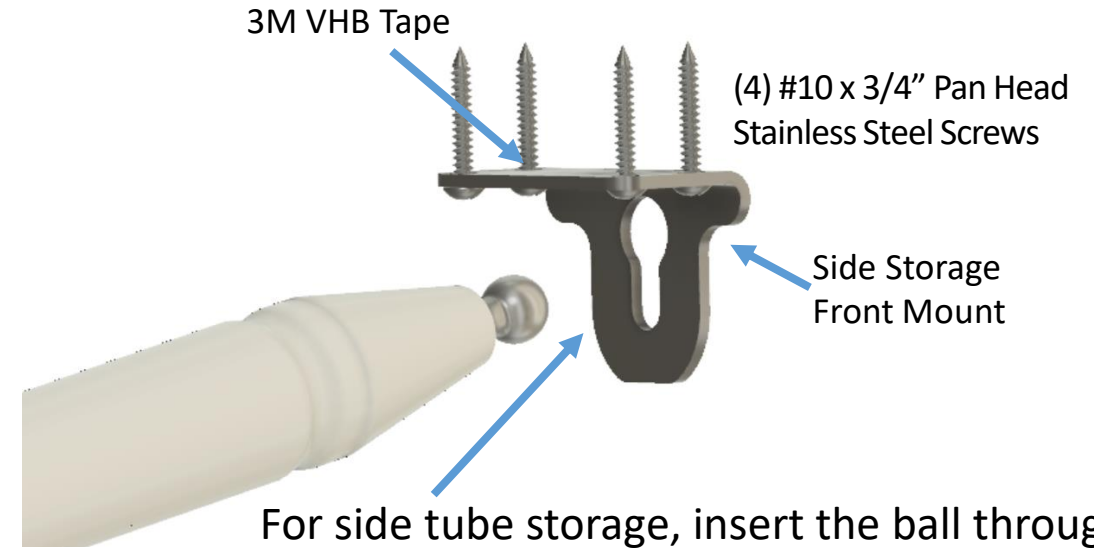
Installed length of Stablecamper

Zoomed in view of Front Hanging Mount

- Once stored on the hanging mounts, the tubes hang 2" below the underside of the camper. The exact placement of the hanging mounts will depend on the truck and your specific clearance needs. The mounts can be placed on the inside or the outside of the truck bedrail depending on your rig and setup.

Side Storage Front Mount Detail

****Please note: The 3M VHB tape used on the front and rear side storage hanger mounts is very strong and repositioning the mounts after they have been fixed to the camper is not advised. When installing the mounts, be sure of placement before removing the adhesive backing and attaching the mounts with the screws.**



For side tube storage, insert the ball through the keyhole (resting against the neck of the ball). Attach the rear end of the tube to it's rear hanger mount and rotate the tube to tension the tube as desired.

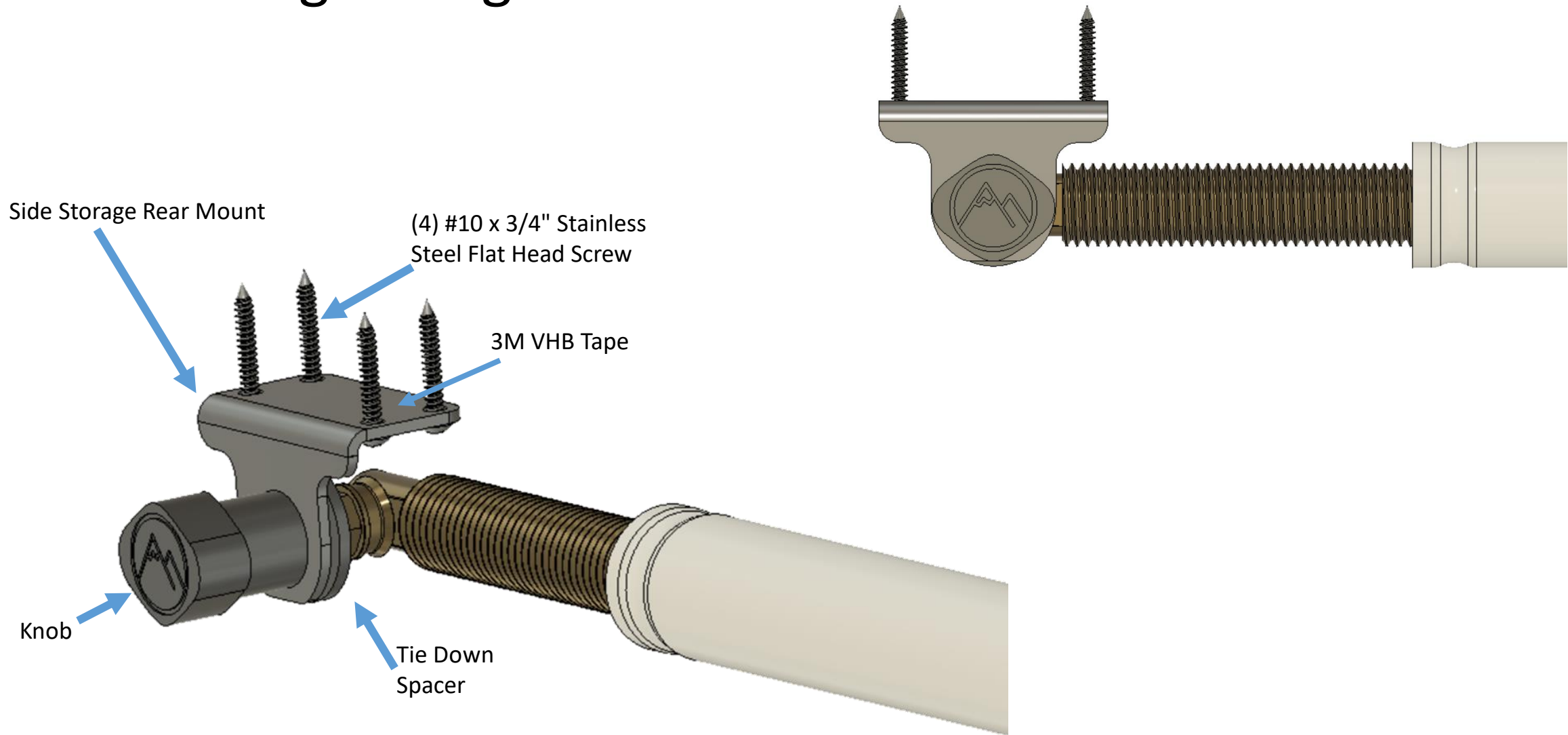
To remove the tube from the mount

1. Release the rear hanger mount and lower the end of the tube.



2. The ball now has clearance to be removed or inserted into the mount.

Side Storage Hanger Mount Rear Detail

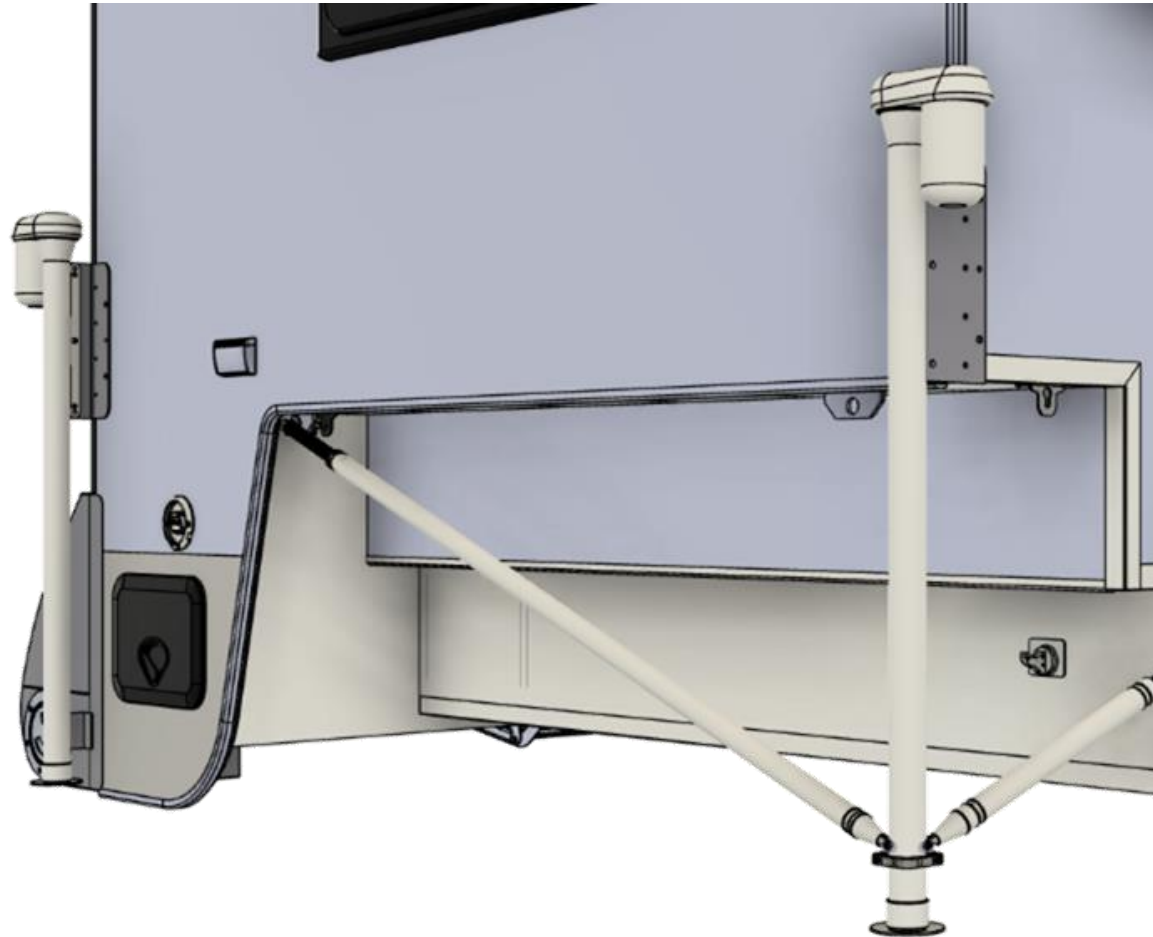


Setup is easy:

Place the ball inside the socket on the jack clamp.

Insert the threaded end through the factory tie down bracket and secure with the knob. Rotate the tube to tighten the assembly just to take the slack out of the system.

Do not overtighten.





For the front tubes, rotate the tube from the storage position on the front storage hook and place the ball inside the socket on the jack clamp. Rotate the tube to tighten the assembly just enough to take the slack out of the system.

Do not overtighten.