



# StableCamper Bed Kits

Engineered to transform CM SK and RD Truck Beds into the perfect Truck Camper bed solution.

Boxes are available in:

- 14 Ga Steel - Powder Coated Black or White
- 0.125" Aluminum - Raw or Powder Coated

Kits include:

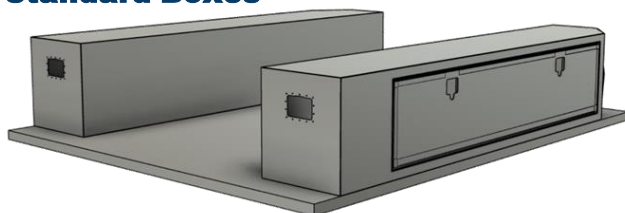
- Standard or Clearance Boxes
- Back Stop – Camper Rest
- Stake Pocket Mounts – Tie Downs

For 60" CA CC Trucks  
Box Size: 20" H 18.5" W 101" L  
Other sizes will be coming soon

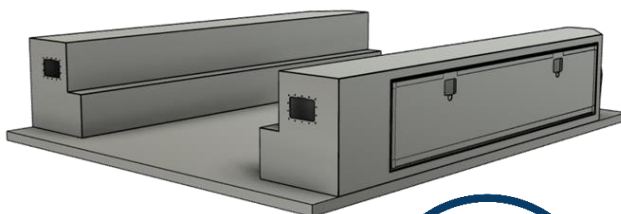


Beautifully Crafted Fit

Standard Boxes



Clearance Boxes



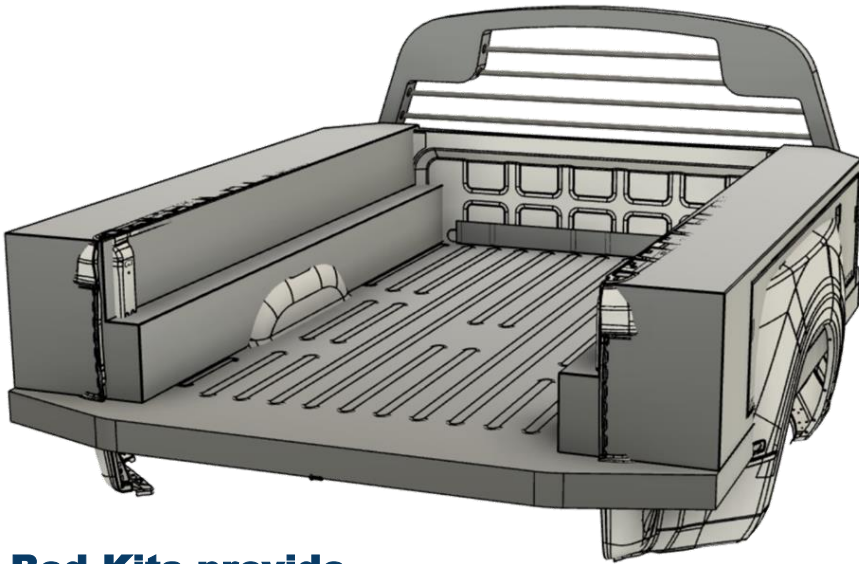
Optimized for 9'4" x 94" CM Beds



<https://www.stablecamper.com/truck-beds>

Stablecamper.com

# StableCamper Bed Kits

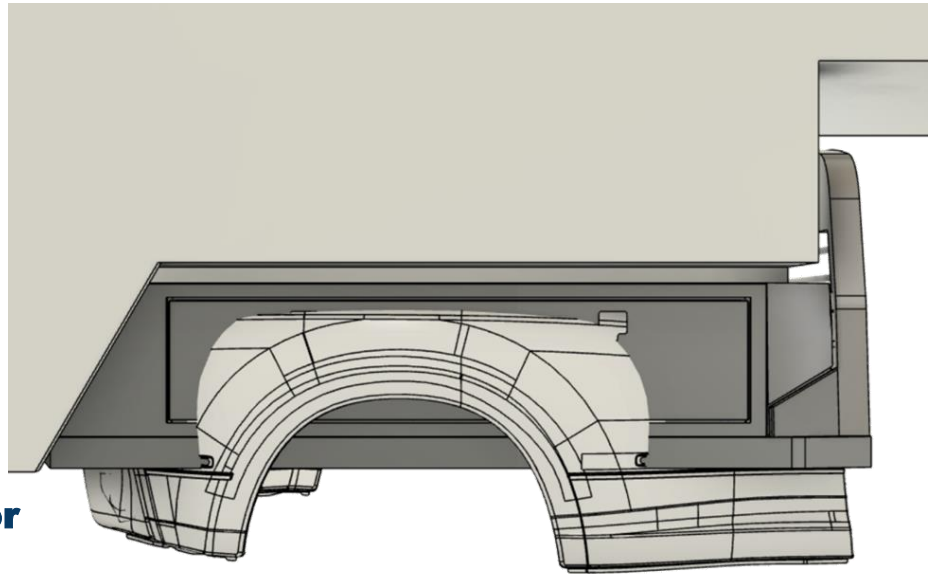


**Our Bed Kits are designed to mimic a standard truck bed for a great camper fit and look**

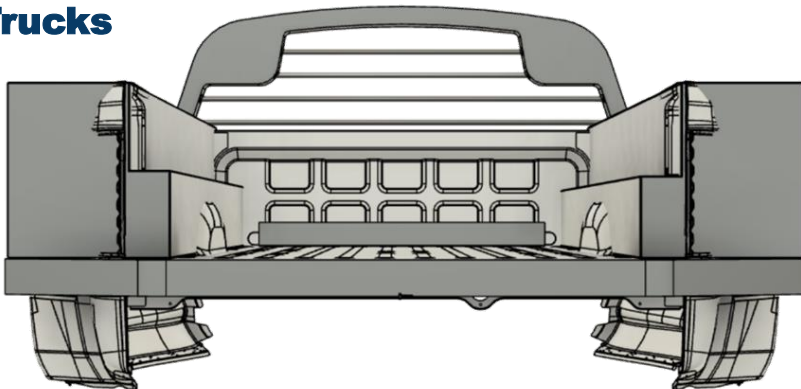
*(Ram Dually bed shown for illustration)*

**Bed Kits provide more versatility and storage options than that of standard truck beds**

**Our Bed Kits with CM Truck Beds provides an affordable, low lead-time truck camper solution for your Cab Chassis Trucks**



**Shown with 9'4 x 94" Bed**



<https://www.stablecamper.com/truck-beds>

Stablecamper.com