

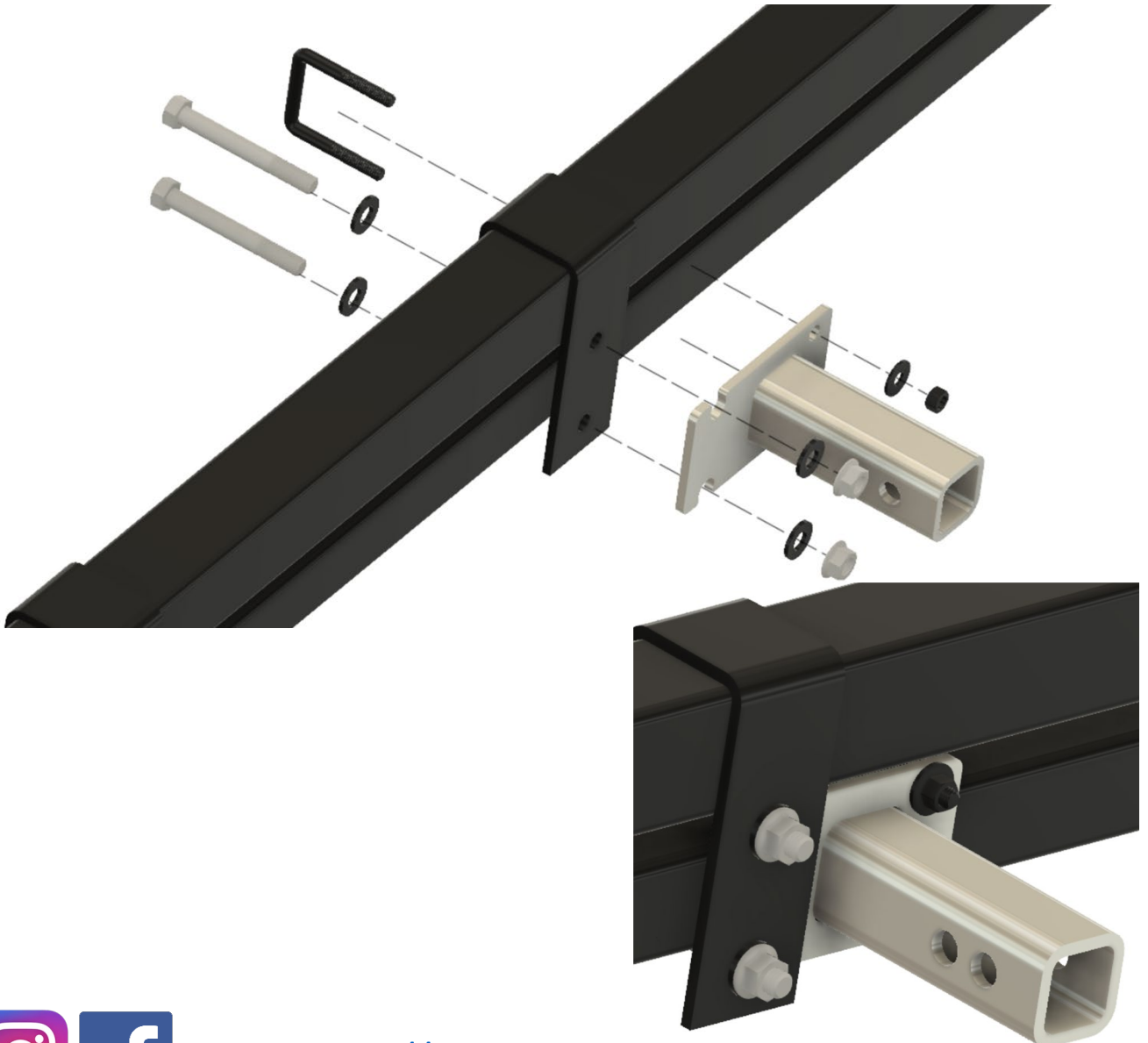
Stablecamper ST Extension Storage Mount

Assembly

- Remove mid U-Collar and two ½ x 4" bolts.
- Remove Torklift shim plate
- Install Stablecamper ST Extension Storage Mount in place of stock shim plate
- Replace two ½ x 4" bolts including washers and nuts
- Add Stablecamper supplied Ubolt including washers and nuts
- Torque two ½ x 4" bolts to Torklift specification (60 ft. lbs.)
- Torque Ubolt to 23 ft. lbs.



Stablecamper.com



<https://www.stablecamper.com>