

****Please note**** A dry fit is recommended before attaching the Front Hook Storage Mounts to the camper as the VHB tape is very strong and is not easily removed once attached to the camper.



**STABLE
CAMPER**



Parts List	# of Items	
Jack Clamp	2	
Front End Tube Mount Assembly	2	
Front Hook Storage Mount	2	
Truck Bed Side Tube Assembly	2	
Storage Bags	2	
Allen Wrench	1	
Alcohol Wipes	2	

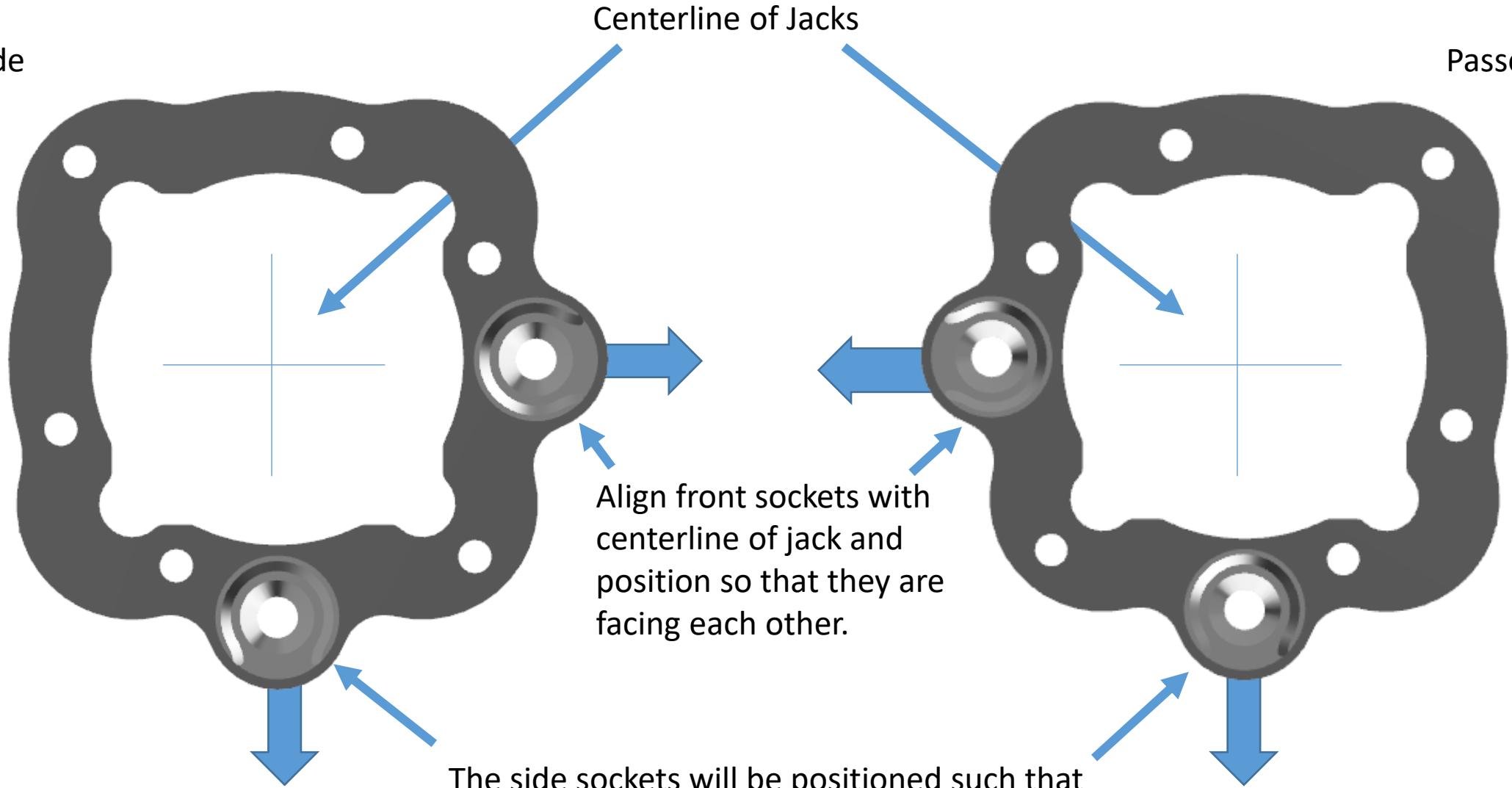
General Notes:

- **Before you begin the installation, remove the camper from the truck and make sure it is leveled.**
- **Do not drill into the fiberglass exterior of the camper.**
- **3M VHB tape is used to attach front storage mounts to the camper. Please be sure to read all instructions related to install and complete preliminary layout before attaching mounts. The VHB tape is not easy to remove and reposition once it is applied.**
- **All front end tube mount assemblies will need to be securely attached with supplied hardware to the UHM plastic strips. Do not drill into the fiberglass exterior of the camper.**
- **Always check for any possible clearance issues before installation.**
- **Wear proper safety equipment.**
- **Do not stand, sit or climb on Stablecamper.**
- **Twist the tubes to hand tighten the assembly just enough to take the slack out of the system.**
- **Do not overtighten.**

Mount the jack clamps to the fixed portion of the jack.

Drivers Side

Passenger Side

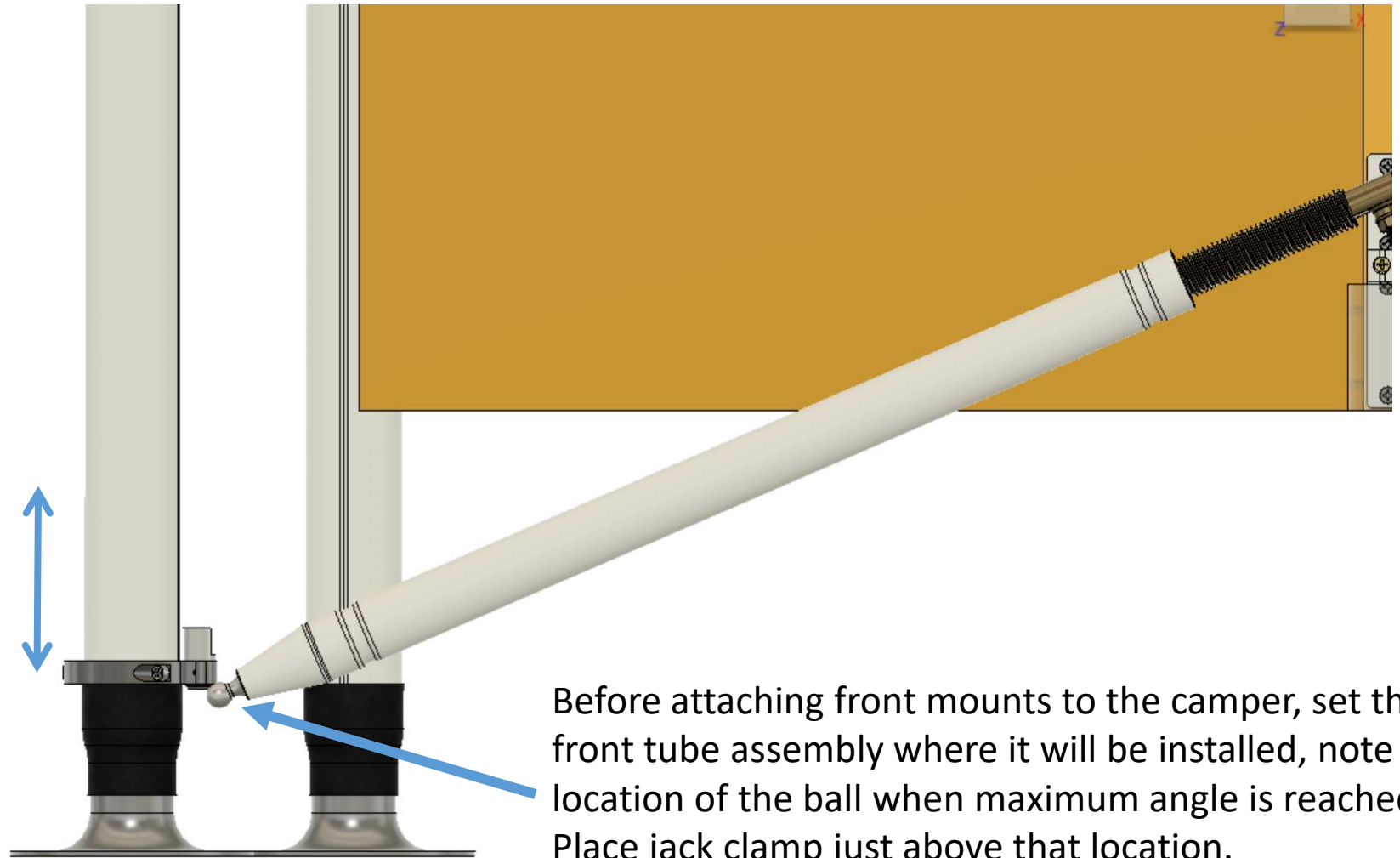


Align front sockets with centerline of jack and position so that they are facing each other.

The side sockets will be positioned such that they are collinear with the centerline of the jack as shown in the illustration.

Vertical Placement of Jack Clamp

The vertical placement of jack clamp will be above the rubber wiper due to the height of the front mount on the bumper. The vertical placement of the jack clamp will vary depending on the maximum angle of the front tube.



Before attaching front mounts to the camper, set the front tube assembly where it will be installed, note location of the ball when maximum angle is reached. Place jack clamp just above that location.

Jack Clamp Assembly Exploded View



Front End Tube Mount Assembly



Please note the Northern Lite set was designed so that there is **no drilling into the fiberglass exterior of the camper. The front mounts are secured with the included hardware into the UHM plastic strip as shown on the following page.

Do not drill into the fiberglass exterior of the camper.

Replace the bottom screw shown in the picture with the supplied #10 x 2" screw.

Front End Tube Mount Assembly



The front mounts are secured with the included hardware into the UHM plastic strip as shown below.

Do not drill into the fiberglass exterior of the camper.

Position the tube mounts near the lower part of the UHM plastic strip as shown in the photos. Drill (2) 9/64" pilot holes per mount and attach the mounts with the supplied #10 x 1" flat head screws.



Front Hook Storage Mount

Please note*** **The 3M VHB tape used to attach the Front Hook Storage Mount to the camper is very strong and repositioning the front hook mounts after they have been fixed to the camper is not advised.** When installing the front tube storage mounts, be sure to check that the tubes are sitting on the hooks and check that the tubes aren't interfering with each other **before** removing the adhesive backing and attaching the mounts.



The front hook storage mounts will be centered in the front face of the camper.

Be sure that the lower tube's stored position rests up above the lower edge of the camper. Please see picture.

When positioning the hanger mounts the upper hook will need to be rotated in the mount a bit as that tube will be at a greater angle and the mount will need to accommodate that.

To attach, clean the area with alcohol wipes, remove the tape backing and affix to the camper.

If the front hook storage mount needs to be removed, use 30 lb test fishing line and run it back and forth between the camper and the tape in a sawing motion. Do not pry or use excessive force.

Setup is easy:

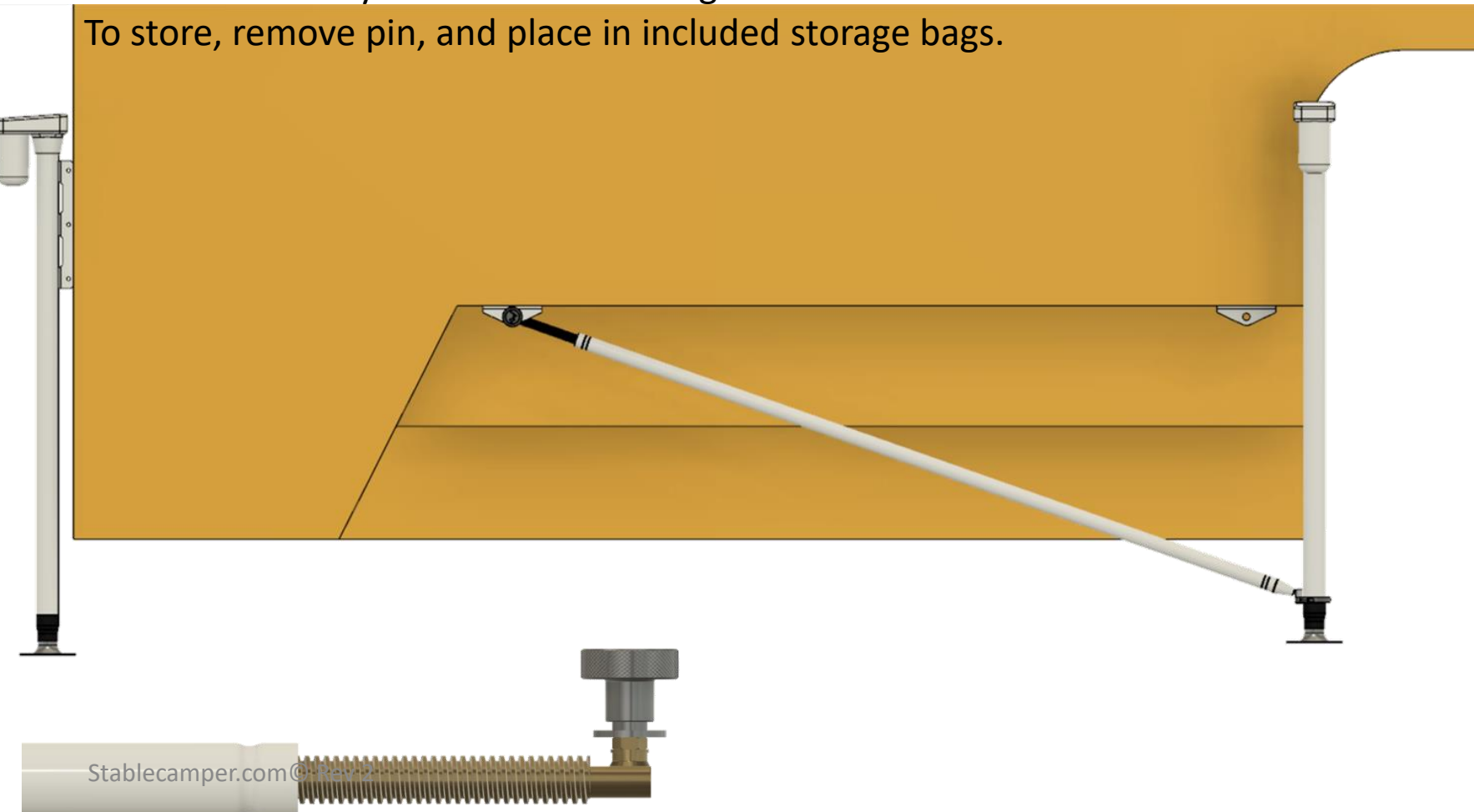
Insert pin into hinge to lock tube in elongated position.

Place the ball inside the socket on the jack clamp.

Insert the threaded end through the factory tie down bracket and secure with the knob.

Rotate the tubes to hand tighten the assembly just enough to take the slack out of the system. Do not overtighten.

To store, remove pin, and place in included storage bags.



For the front tubes, rotate the tube from the storage position on the front storage hook and place the ball inside the socket on the jack clamp.
Rotate the tubes to hand tighten the assembly just enough to take the slack out of the system.
Do not overtighten.

