

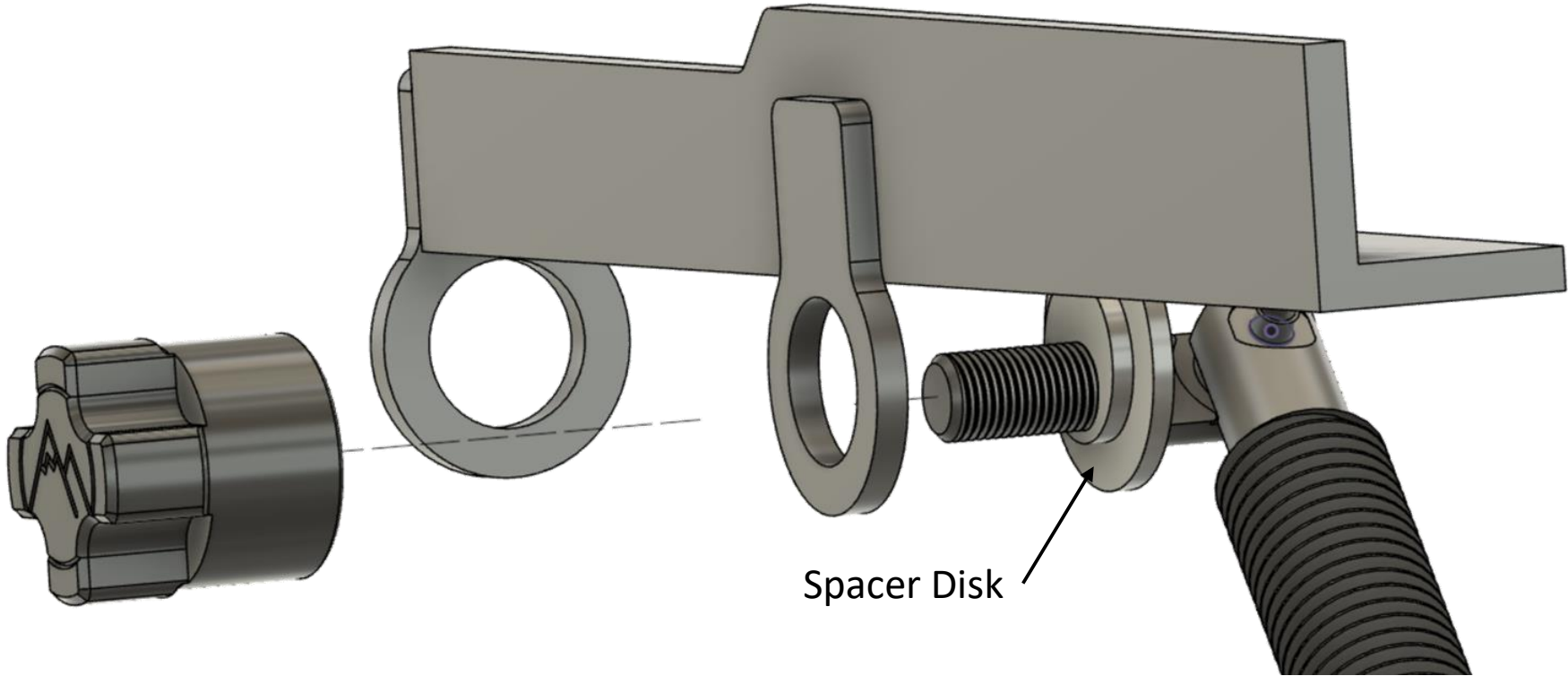
Anchor Relocation Kit Spacer Fit

# Stablecamper.com

Truck Camper Stabilization and Accessories

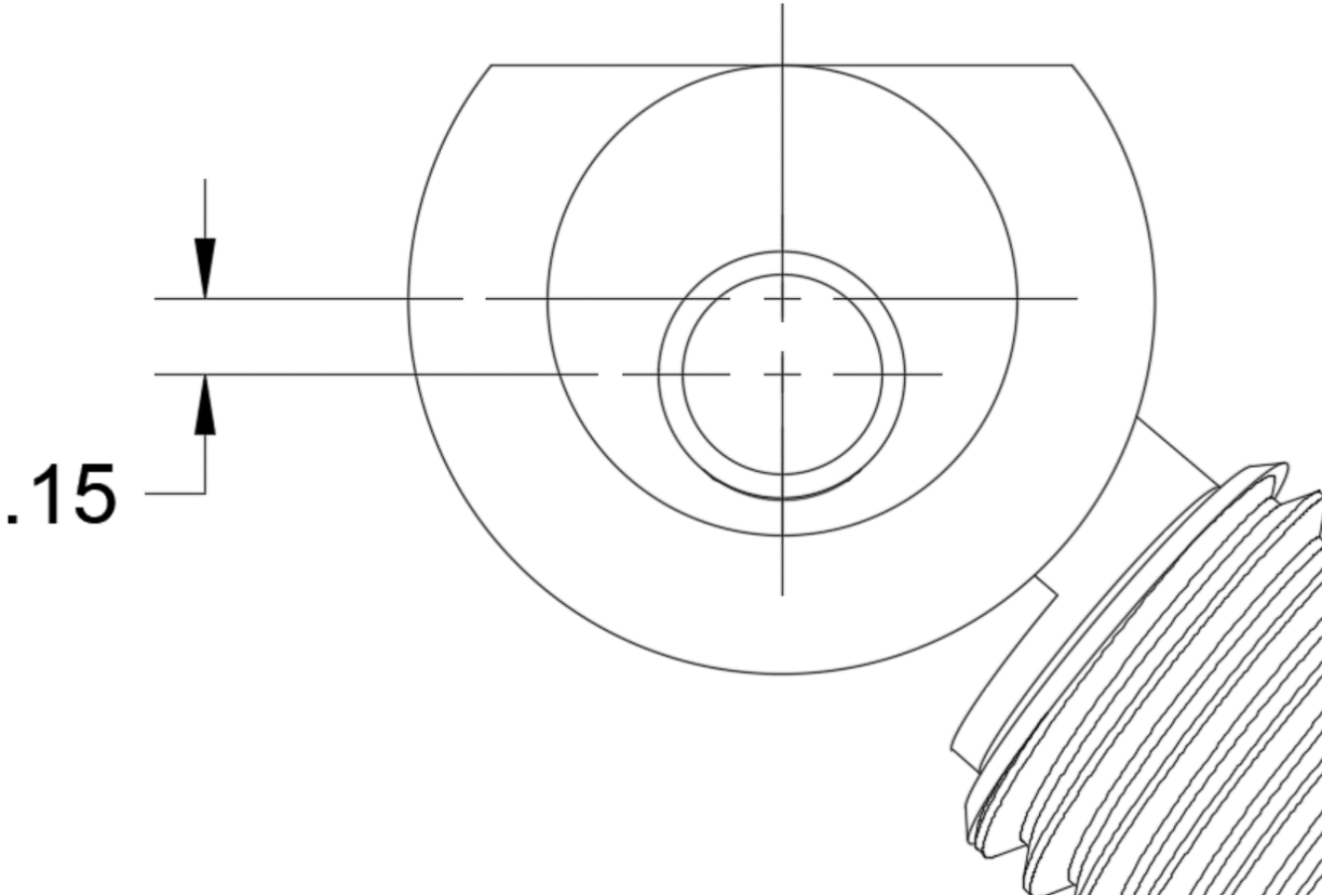


Each Stablecamper System includes a spacer disk designed to fit with existing tie down systems. The individual spacer disk will vary depending on the camper and model your Stablecamper System is designed for.

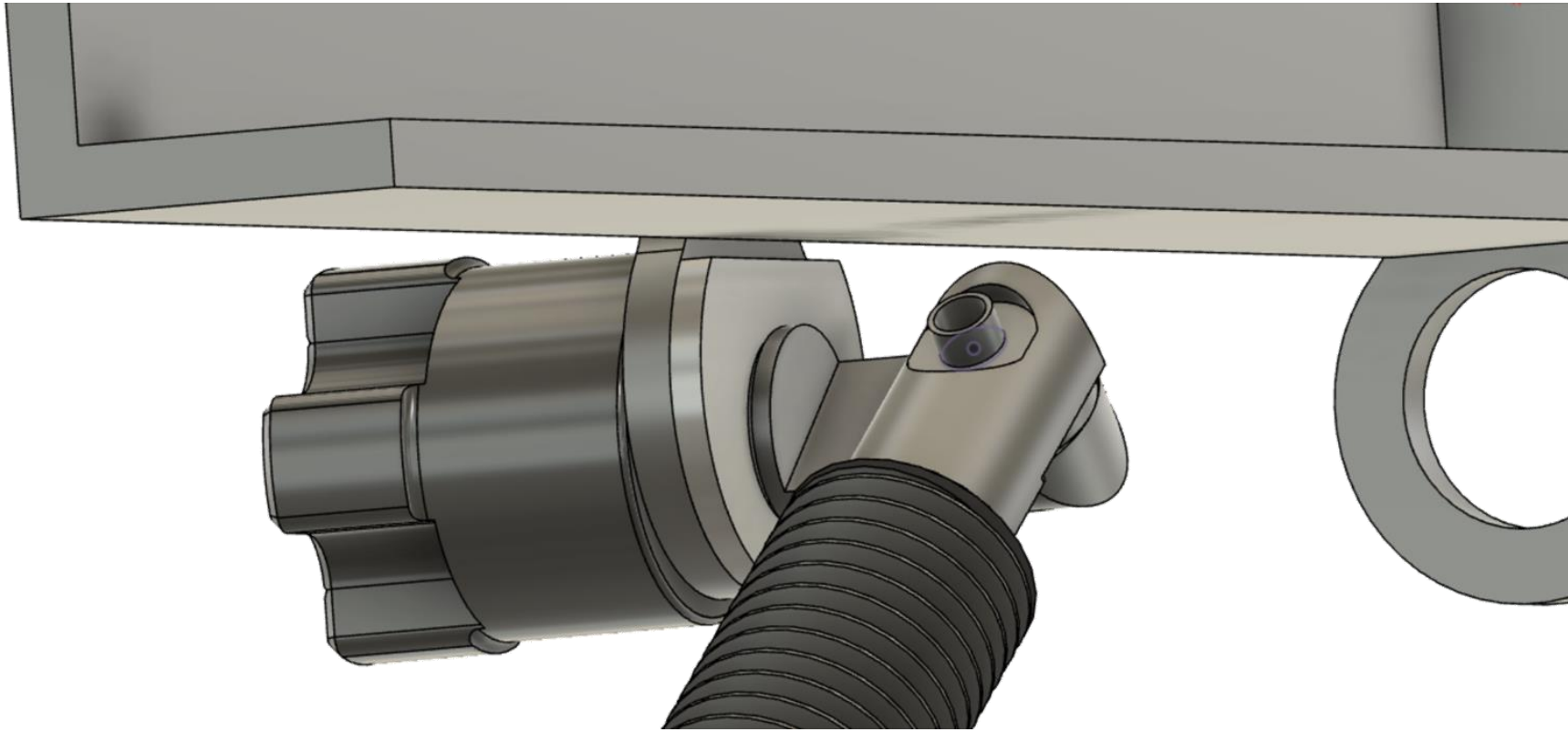


To work with the Torklift Anchor Relocation Kit (A7004), we have a specific Spacer Disk that works with this and allows the Stablecamper system to work as it does with your factory tie down brackets.

To fit with the Torklift Anchor Relocation Kit, this specific spacer disk provides a flat for clearance and an offset of 0.150" (a little more than an 1/8") to allow our system to fit.



# Reference Assembly Image



# Reference Assembly Image

