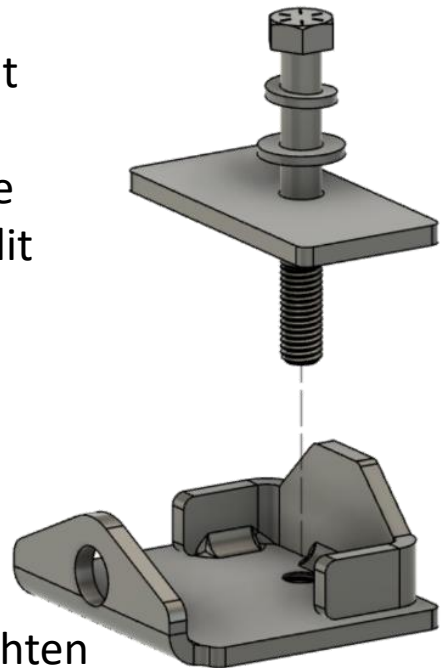


StableCamper Stake-Pocket Mount Installation

The StableCamper Stake-Pocket Mount inserts from the bottom of the stake pocket and is secured in place with the supplied cap plate and 1/2-13 bolt, split lock washer, and flat washer.



The 1/2-13 securing bolt should be tightened to normal tightness, not exceeding 1/2-13 normal bolt torque of 57 ft lbs.

