

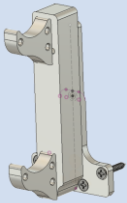




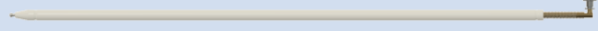

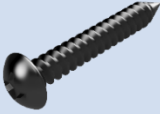



**STABLE
CAMPER**

Stablecamper.com©

Parts List	# of Items	
Jack Clamp	2	
Front End Tube Assembly	2	
Front Storage Mount	1	
#10 x 1.5" Stainless Steel Flat Head Screw	12	
#10 x 1 3/8" Stainless Steel Flat Head Bolt	4	
Side Extension Bracket Drivers Side	1	 <p>Stablecamper Only No Tie Down</p>
Side Extension Bracket Passenger Side	1	 <p>Stablecamper Only No Tie Down</p>

Parts List	# of items	
Truck Bed Side Tube Assembly	2	
Single Side Storage Hanger Mount Front and Rear	2 Front 2 Rear	
Single Side Storage Hanger Mount Hardware #10 x 3/4" Stainless Steel Pan Head Screw	16	
Allen Wrench	1	

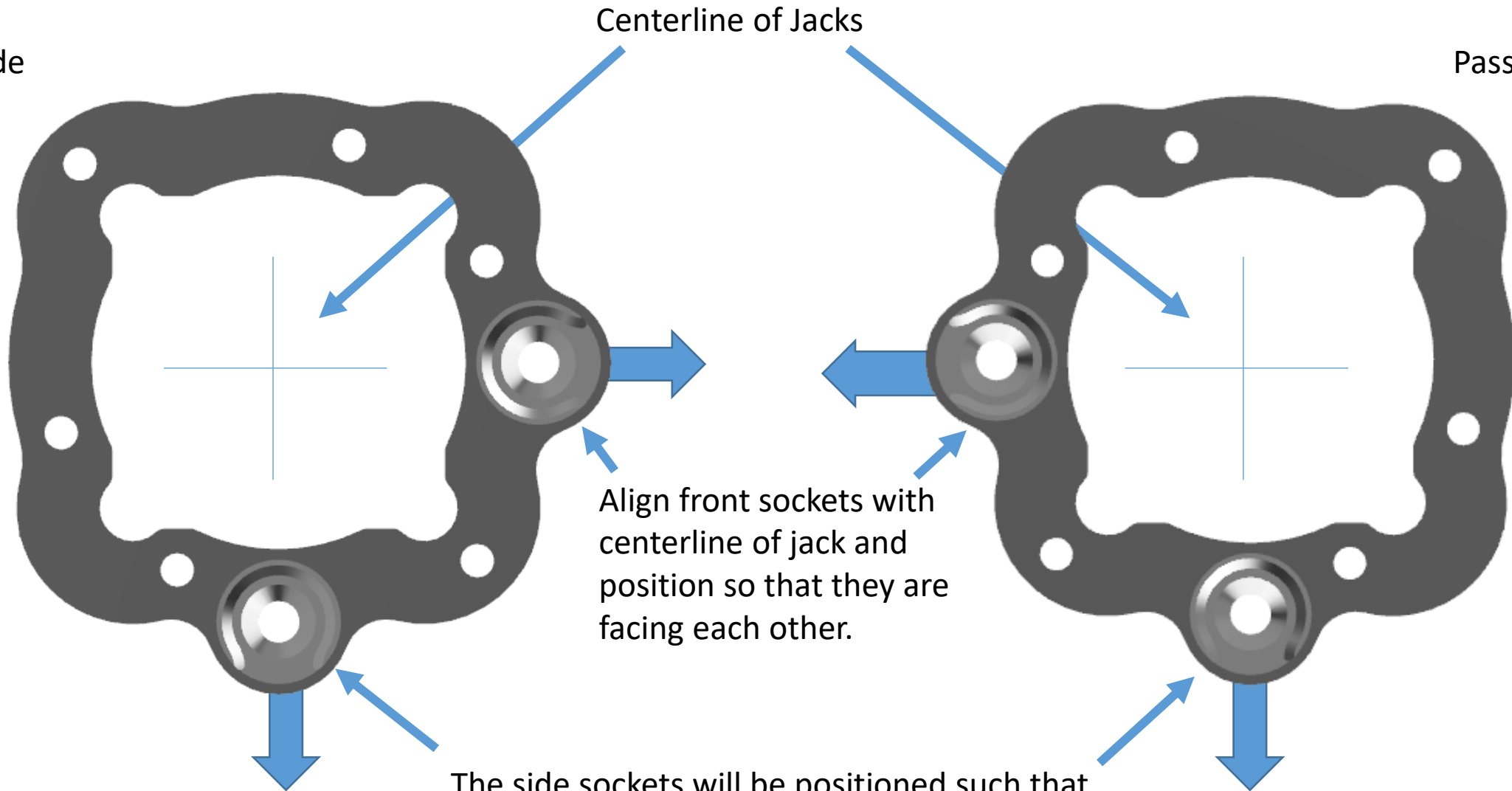
General Notes:

- Before you begin the installation, remove the camper from the truck and make sure it is leveled.
- All mounted assemblies will need to be securely attached with supplied hardware to the camper frame.
- Avoid drilling pilot holes too close to the edge of the camper frame.
- Check the front tubes and hanger mounts as well as the side tubes and hanger mounts for any possible clearance issues.
- Confirm that the tubes will not be interfering with the tie down hooks, water, or any connections under the camper overhang.
- Apply RV sealant to all holes.
- Wear proper safety equipment.
- Do not stand, sit or climb on stablecamper.
- The 3M VHB tape used on the front and rear side storage hanger mounts is very strong and repositioning the mounts after they have been fixed to the camper is not advised. When installing the mounts, be sure of placement before removing the adhesive backing and attaching the mounts with the supplied hardware.

Mount the jack clamps to the fixed portion of the jack.

Drivers Side

Passenger Side



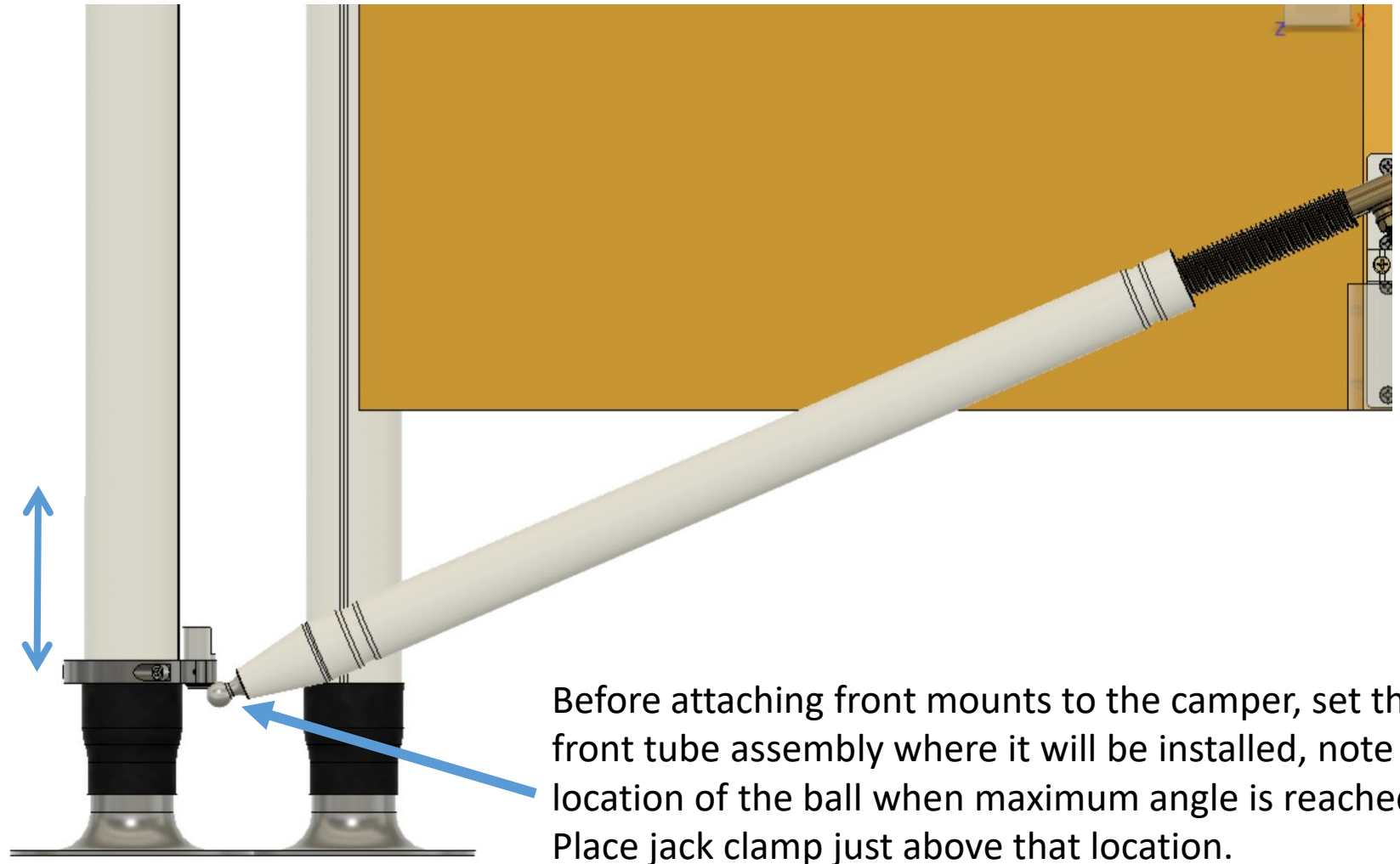
Centerline of Jacks

Align front sockets with centerline of jack and position so that they are facing each other.

The side sockets will be positioned such that they are collinear with the centerline of the jack as shown in the illustration.

Vertical Placement of Jack Clamp

The vertical placement of jack clamp will be above the rubber wiper due to the height of the front mount on the bumper. The vertical placement of the jack clamp will vary depending on the maximum angle of the front tube.



Before attaching front mounts to the camper, set the front tube assembly where it will be installed, note location of the ball when maximum angle is reached. Place jack clamp just above that location.

Front Tube Mounts and Front Storage Mount Assembly

Passenger Side

View: Front Face of Camper

Driver Side

The front tube mount comes with the front mount, a spacer, and a back plate. The spacer may be required to add a bit more room to avoid any conflicts with cubby door latches when storing the tubes. The spacer may not be included in sets for some models of Eagle Cap or Adventurer campers. If the spacer is not included, the front mount attaches directly to the back plate with the #10-24 x 5/8" Flat Head Screws. Bumpers can be easily removed for installation and then replaced.



Front Tube Mount

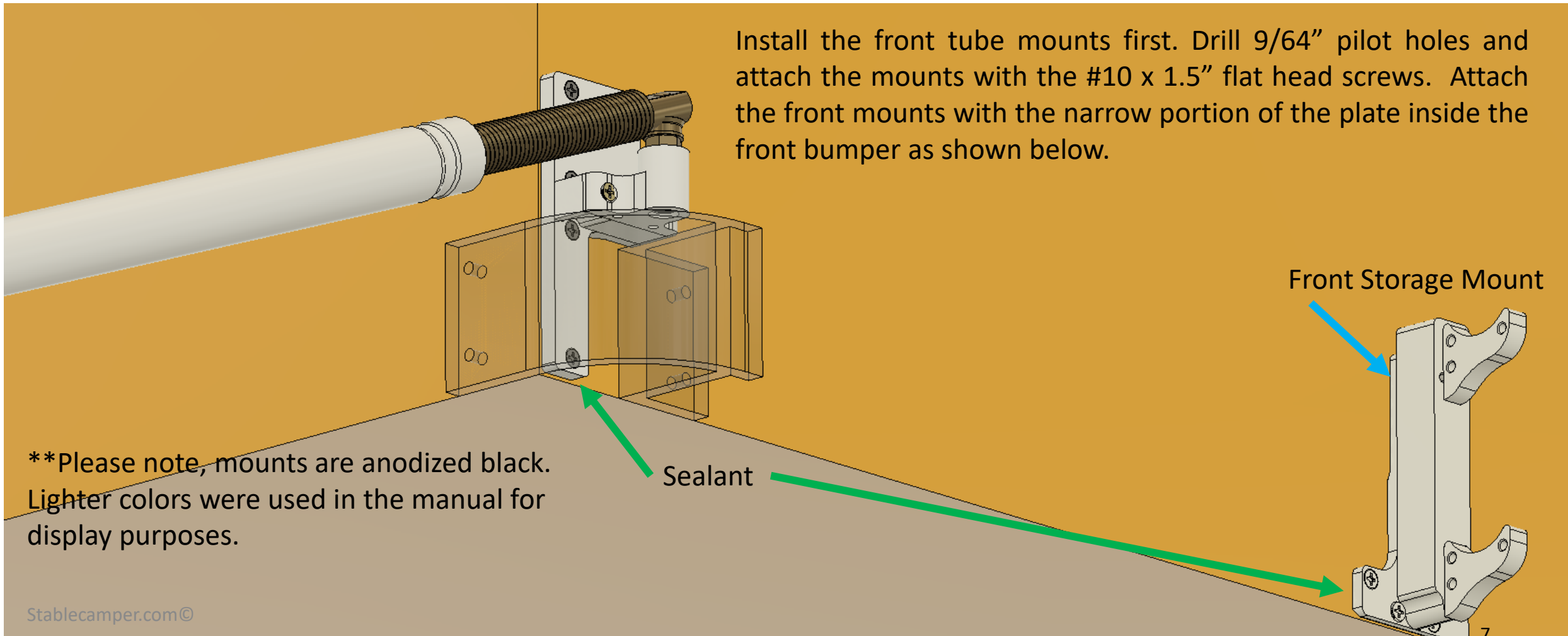
Front Storage Mount

Be sure that the mounts are being attached to the camper frame. Do not drill pilot holes too close to the edge of the camper frame. Use RV sealant on any holes and around the mounts.

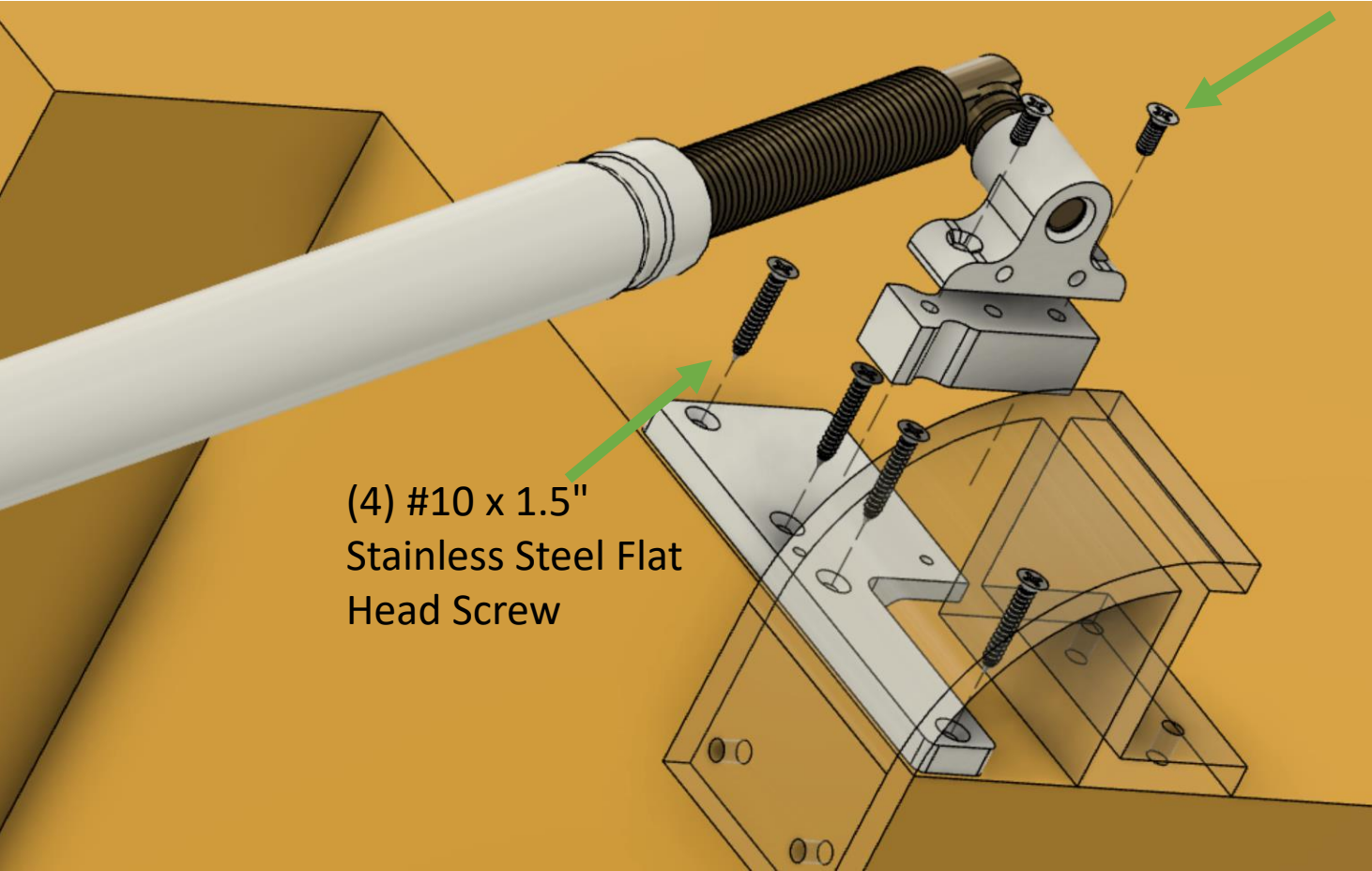
View: Front Face of Camper

Passenger Side

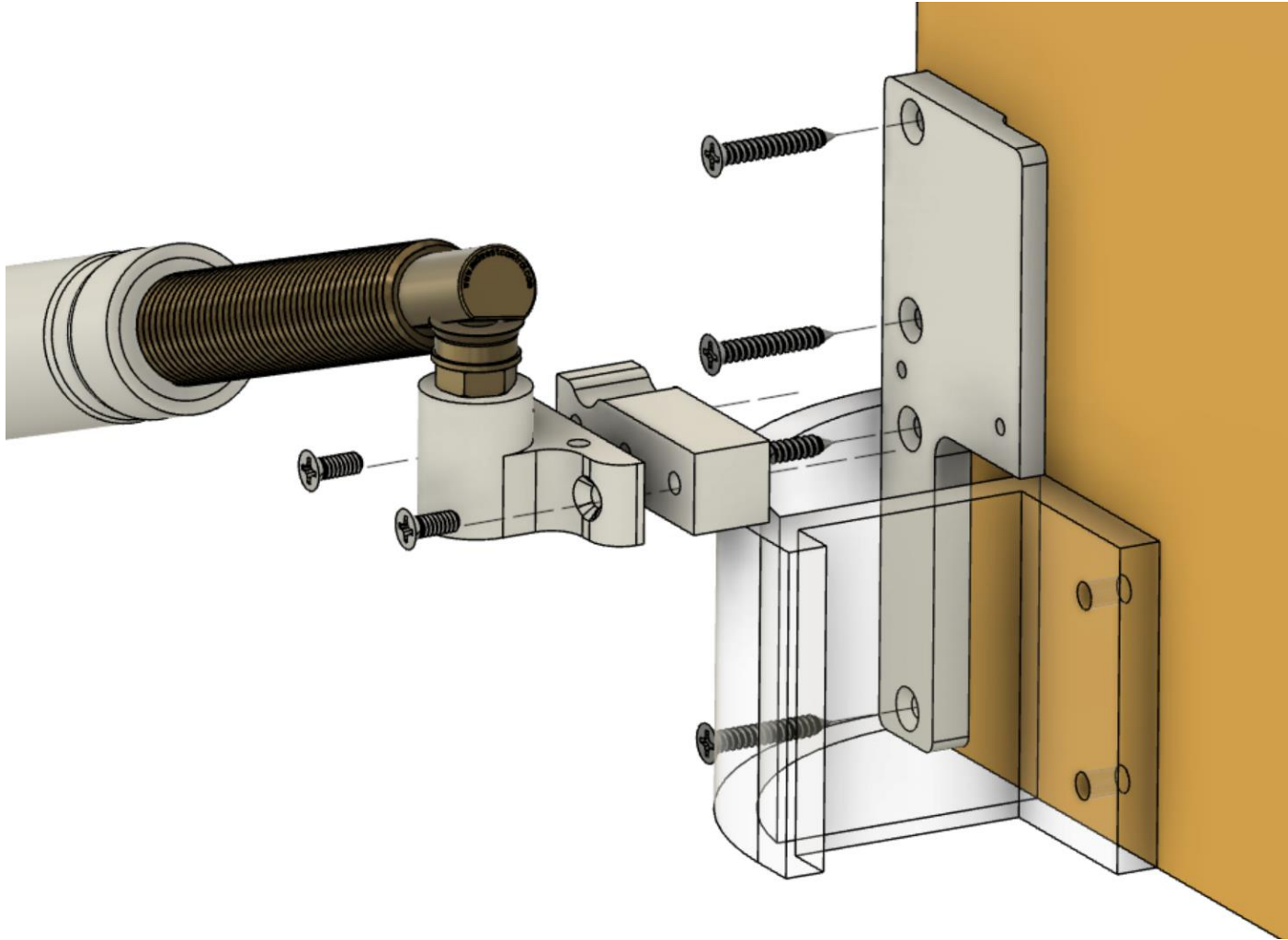
Confirm front mounts and front storage mount placement before securing to the camper. There is a driver side and passenger side orientation to the front mounts. The installation orientation of the mount is shown below. Position the front storage mount so that it is centered on the front face of the camper and it is mounting to the camper frame. Confirm that the tubes are seated appropriately on the hooks for storage.

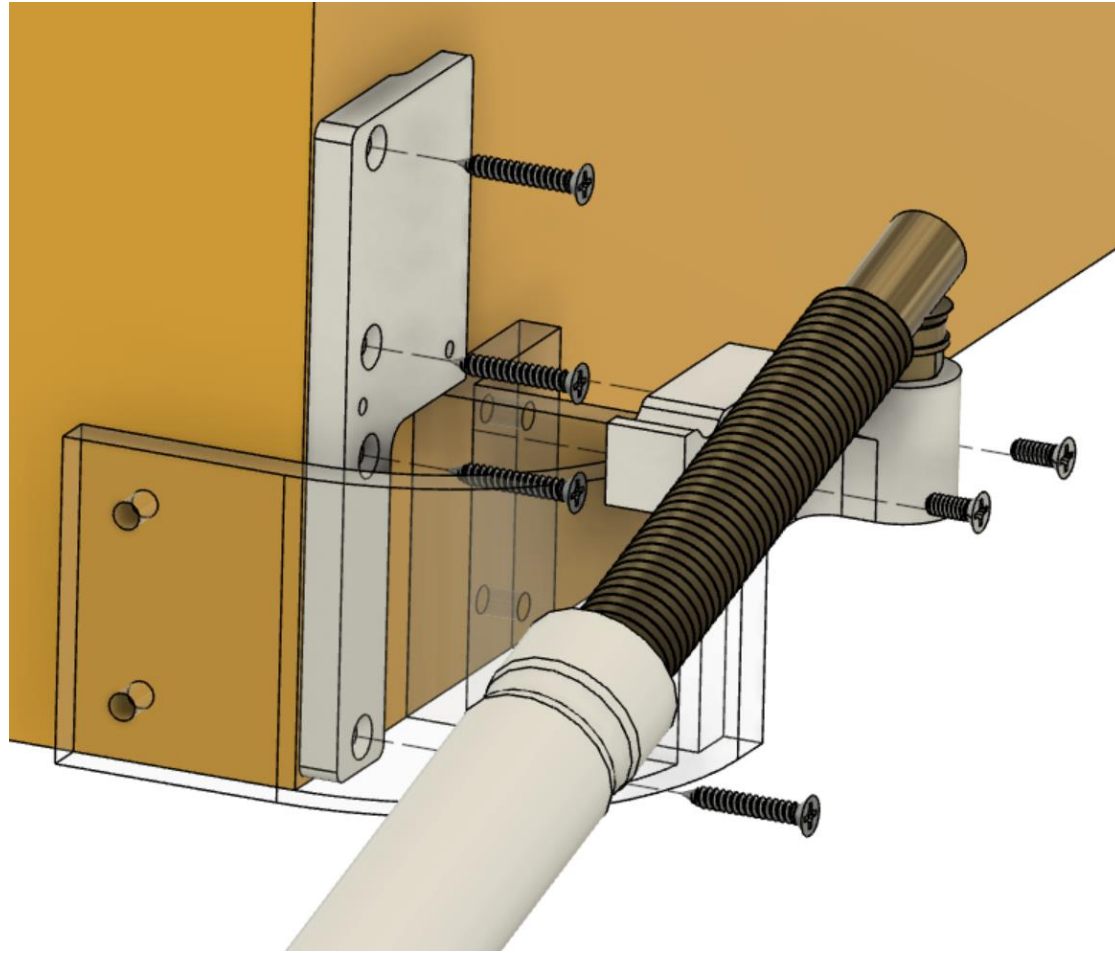


(2) #10 x 1 3/8" Stainless Steel Flat Head Bolt

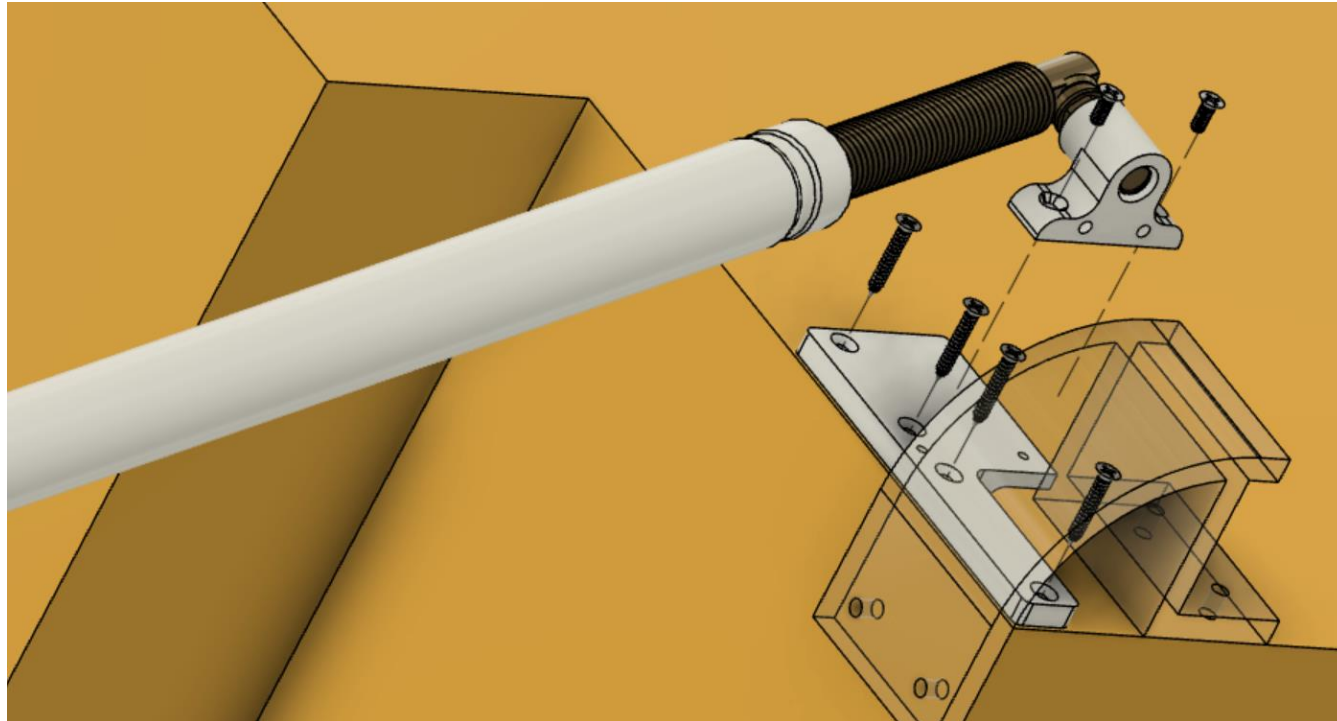


(4) #10 x 1.5" Stainless Steel Flat Head Screw



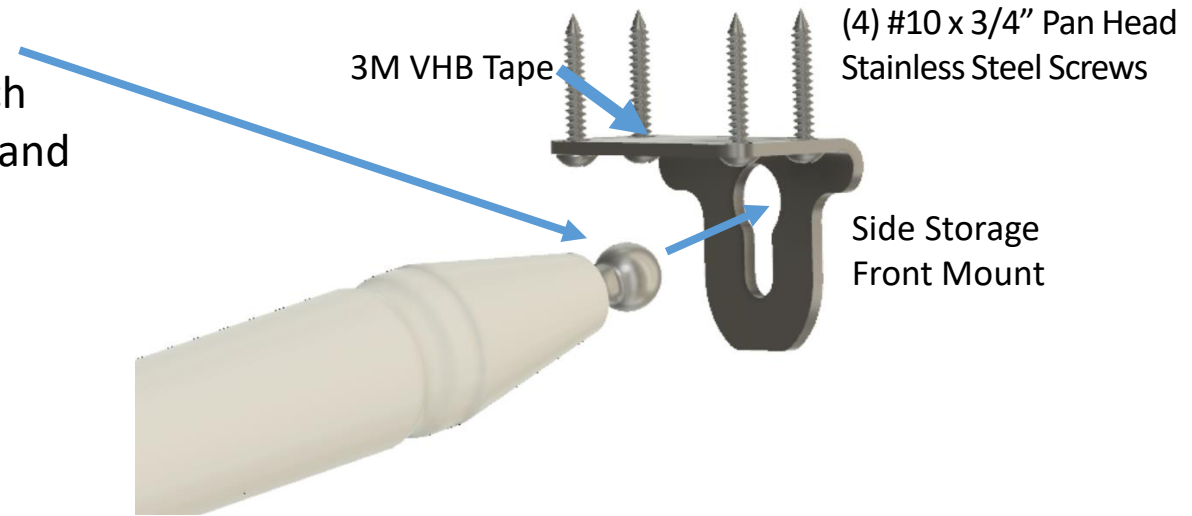


#10 x 5/8" Stainless Steel Flat Head Bolt
if no spacer included



Side Storage Front Mount Detail

For side tube storage, insert the ball through the keyhole (resting against the neck of the ball). Attach the rear end of the tube to it's rear hanger mount and rotate the tube to tension the tube as desired.

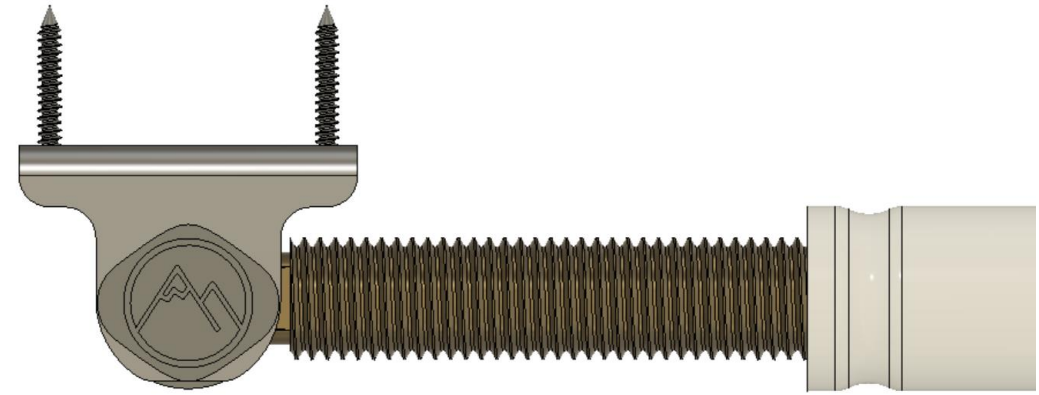
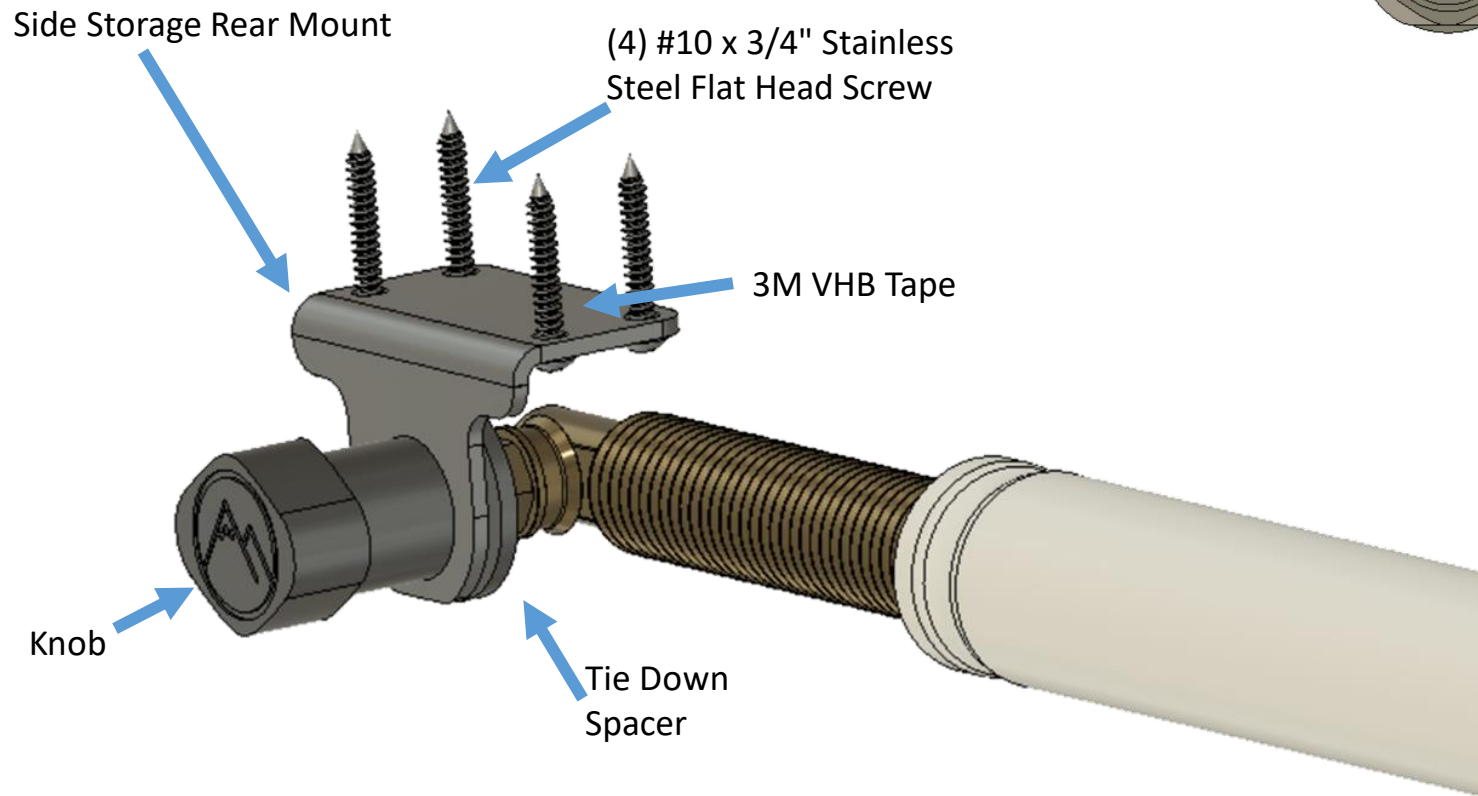


To remove the tube from the mount

1. Release the rear hanger mount and lower the end of the tube.



Side Storage Hanger Mount Rear Detail



****Please note: The 3M VHB tape used on the front and rear side storage hanger mounts is very strong and repositioning the mounts after they have been fixed to the camper is not advised. When installing the mounts, be sure of placement before removing the adhesive backing and attaching the mounts with the screws.**

View: Side Face of Camper

- Before installing the storage mounts for the side tubes on the underside of the camper, confirm that the distance between the hanger mounts is the same as the installed length of the Stablecamper before drilling pilot holes.

Installed length
of Stablecamper

****The 3M VHB tape used on the front and rear side storage hanger mounts is very strong and repositioning the mounts after they have been fixed to the camper is not advised. Be sure of placement before attaching to camper.**

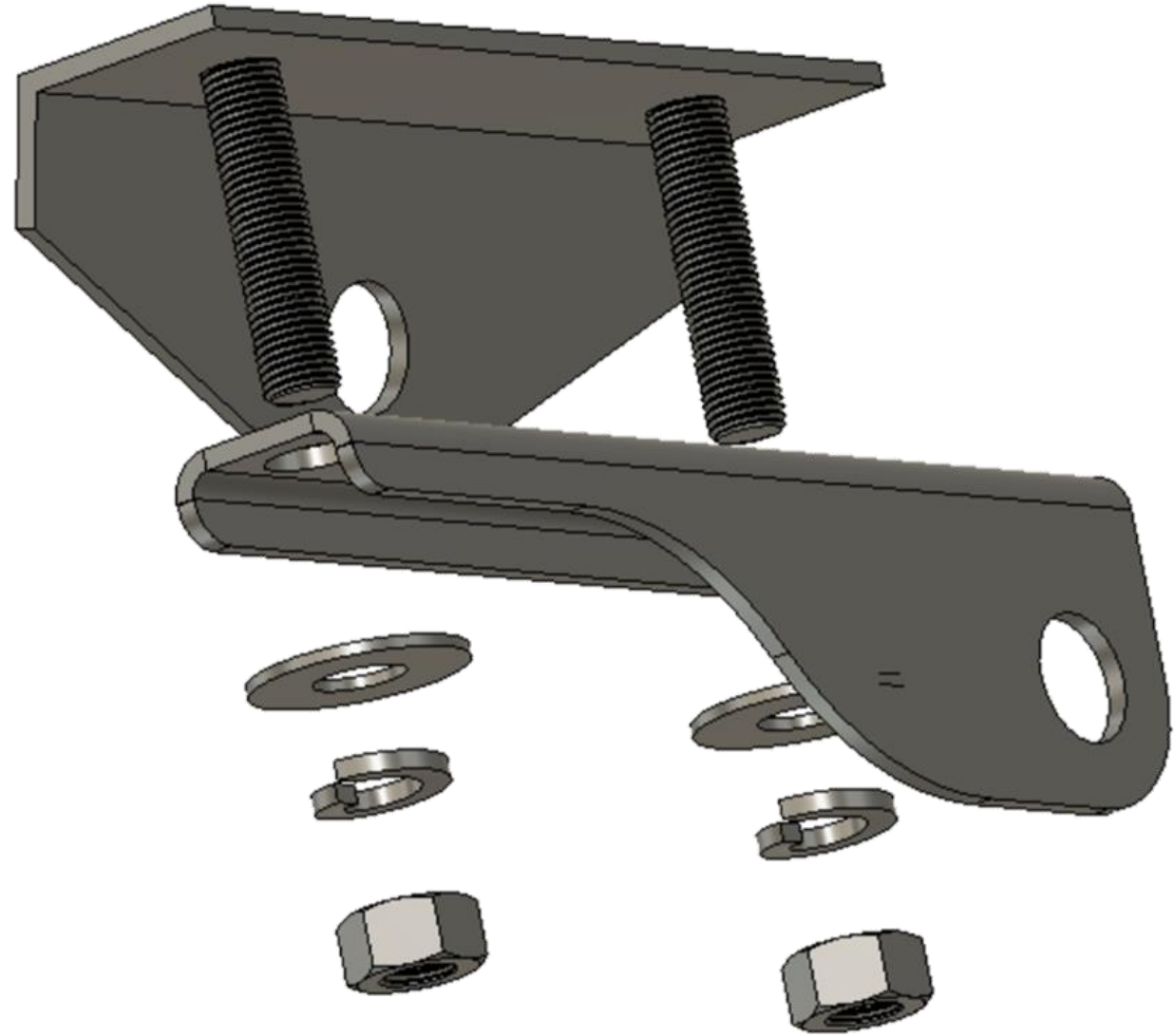
Zoomed in view of Front Hanging Mount

- Once stored on the hanging mounts, the tubes hang 2" below the underside of the camper. The exact placement of the hanging mounts will depend on the truck and your specific clearance needs. The mounts can be placed on the inside or the outside of the truck bedrail depending on your rig and setup.

Eagle Cap Extension Bracket Assembly

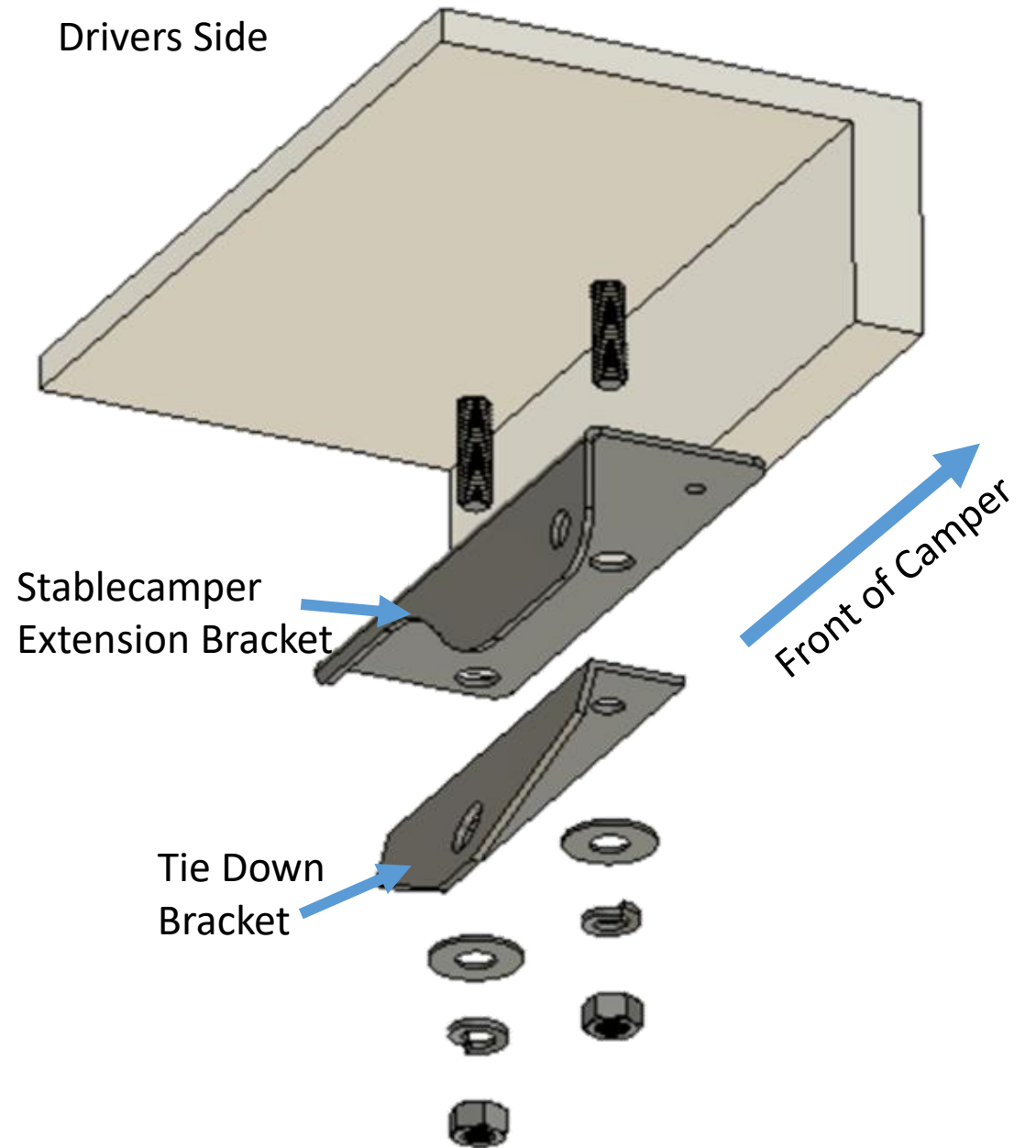
We found that some of the Eagle Cap customer tie down brackets were placed such that there wasn't enough room for the knob and ball joint. This isn't the case for all Eagle Caps but for some. The extension brackets are provided if extra space is needed for the ball joint and knob. There is a passenger and drive side orientation.

Passenger Side Extension Bracket



Adventurer Extension Bracket Assembly

The extension brackets are provided if extra space is needed to attach the Stablecamper. There is a passenger and drive side orientation. The illustration to the right shows the drivers side installation. To assemble, remove the nuts and washers and remove the tie down bracket. Slide Stablecamper Extension Bracket onto the bolts. Slide Tie Down bracket onto the bolts and secure with washer, locking washer and nut as shown.



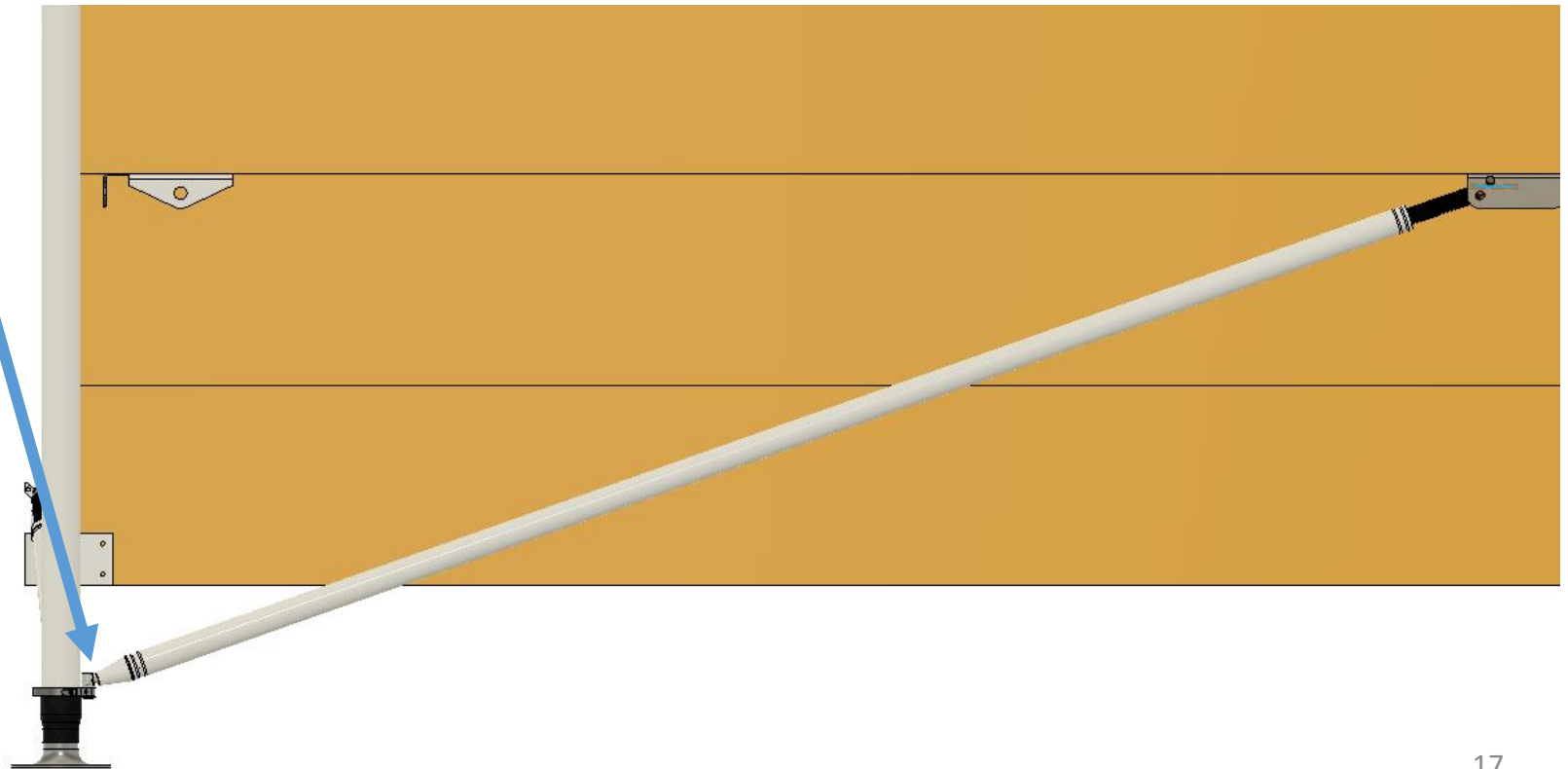
Side Tube Setup Detail



Place the ball inside the socket on the jack clamp.

Insert the threaded end through the dedicated Stablecamper bracket shown above, secure with the knob.

Rotate the tubes to hand tighten the assembly just enough to take the slack out of the system. Do not overtighten.



For the front tubes, rotate the tube from the storage position on the front storage hook and place the ball inside the socket on the jack clamp. Rotate the tube to hand tighten the assembly just enough to take the slack out of the system. Do not overtighten.

