

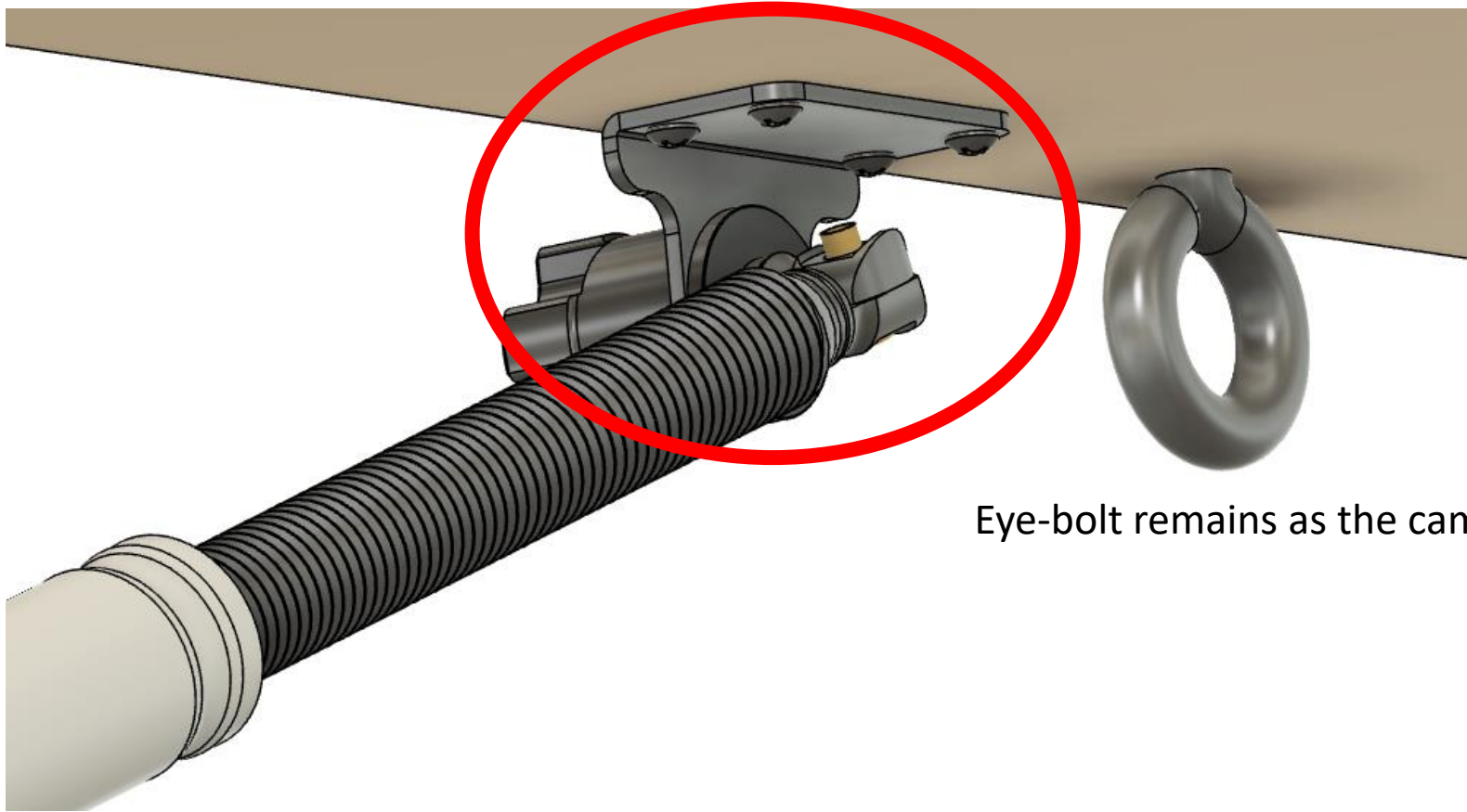
Mounting Bracket for Use With Eye Bolt Systems

Stablecamper.com

Truck Camper Stabilization and Accessories

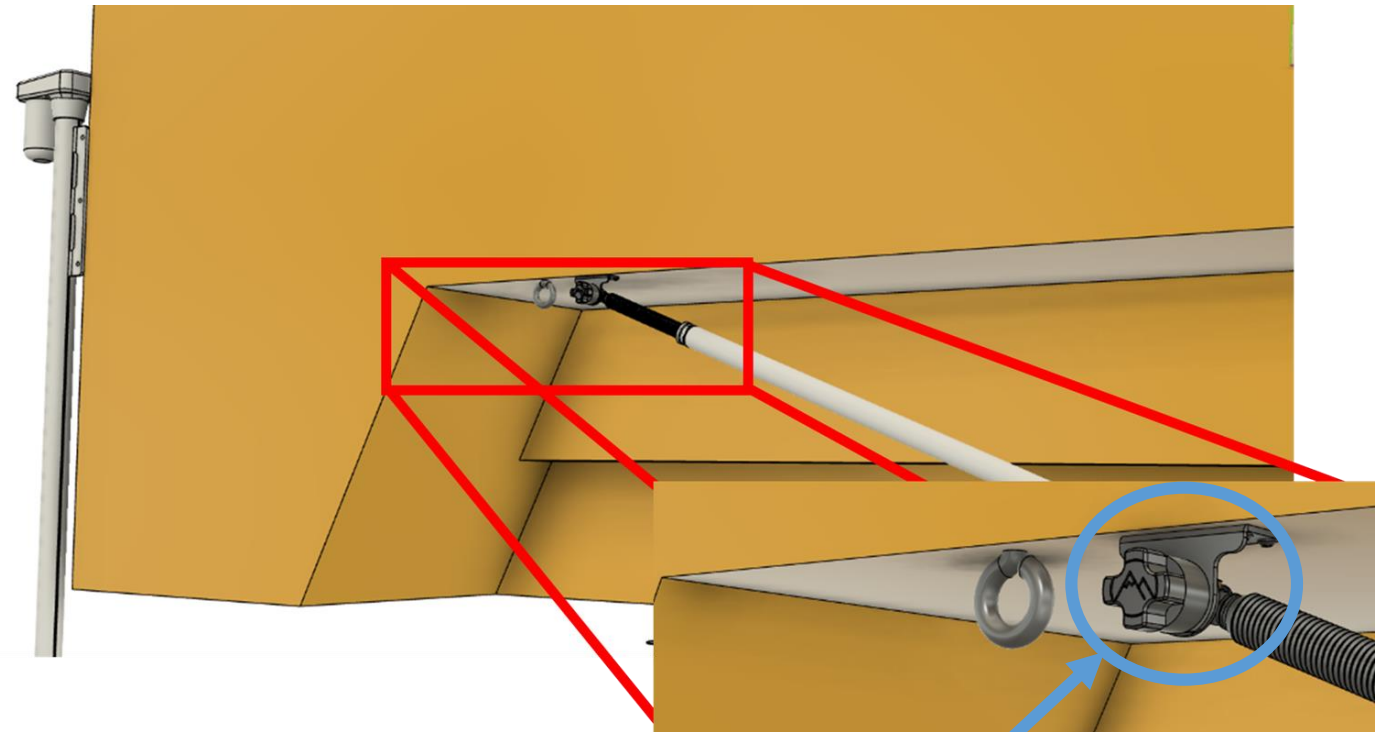
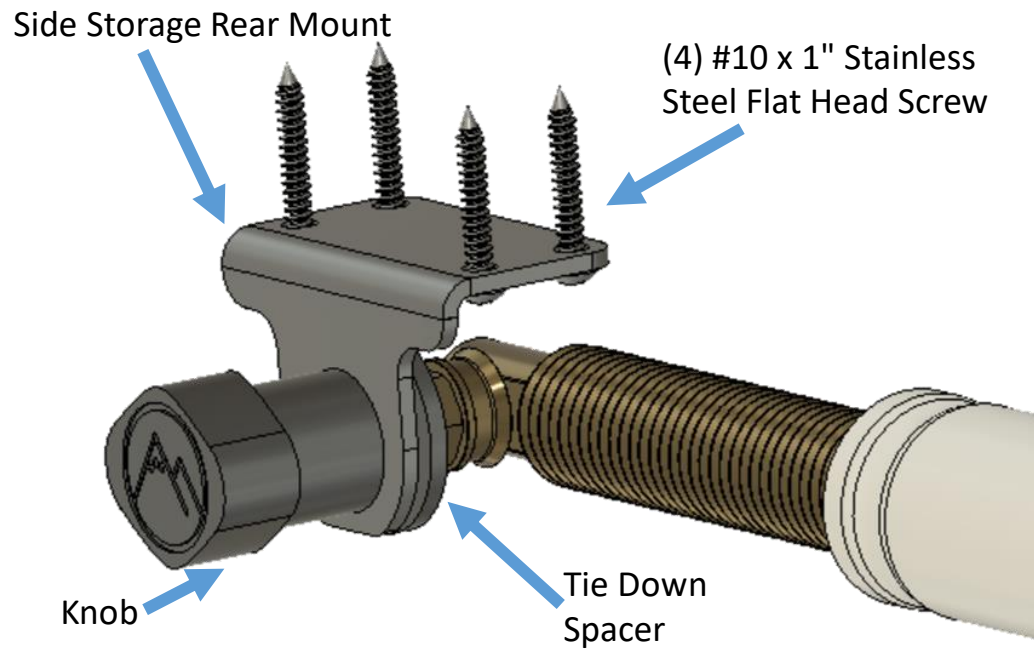
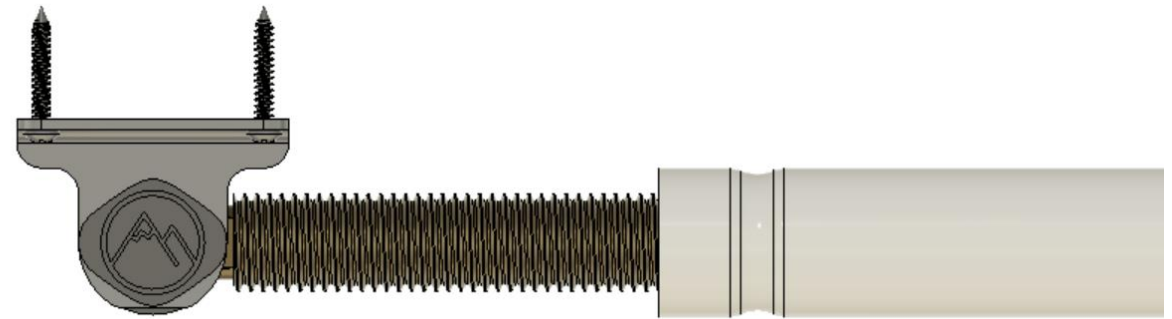


We manufacture a stainless steel side storage rear mount as an alternate solution. This bracket attaches to the frame at the camper underwing.



Eye-bolt remains as the camper tie down anchor

The side mounts will be installed under the camper wing and will be the attachment point for the end of the side tube assembly. ****Please note, these side mounts are designed for use with Stablecamper system only, not to be used as tie downs.****



New mounting bracket for use with eye-bolt systems